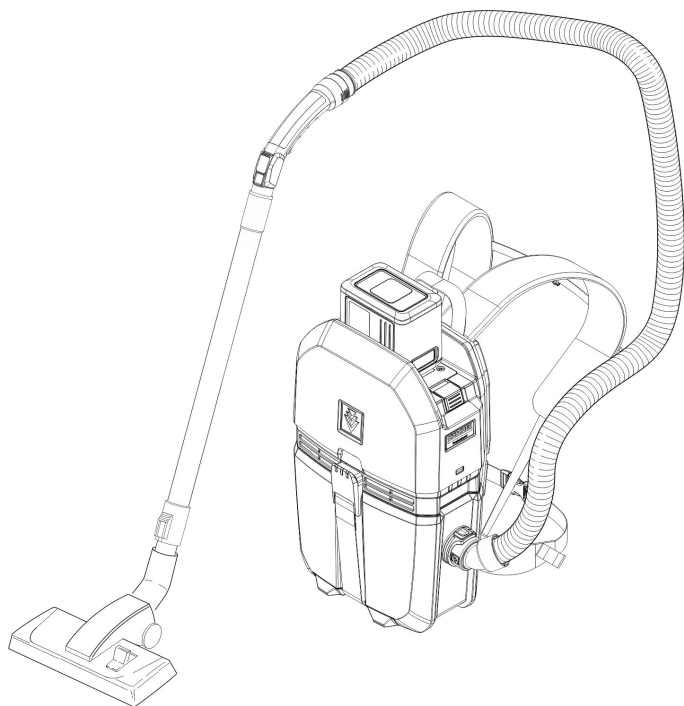


BVL 5/1 Bp **BVL 5/1 Bp Pack**

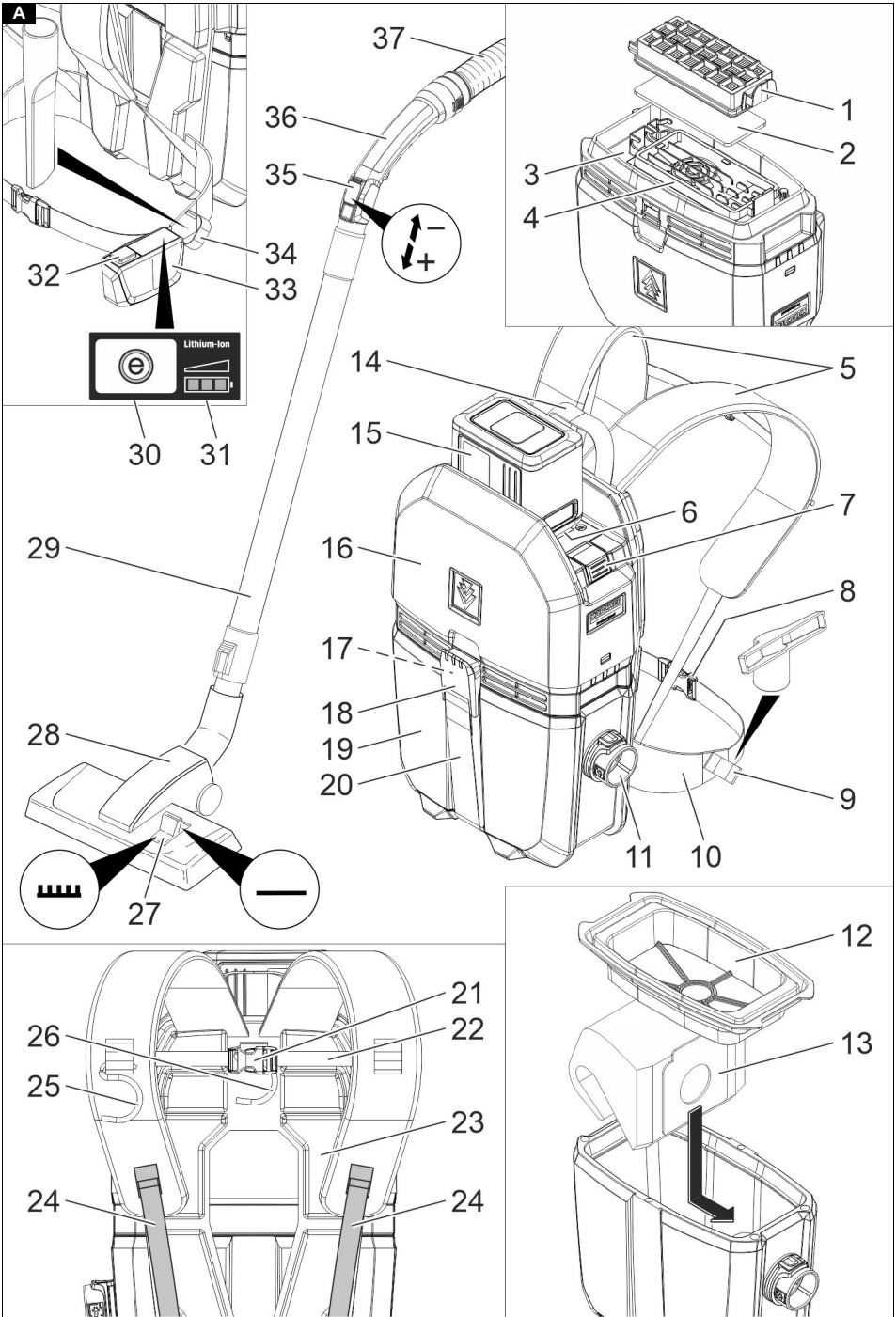
English	5
Français	14
Español	24

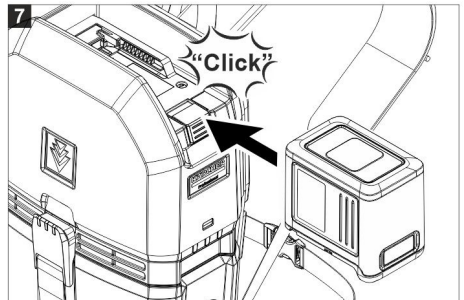
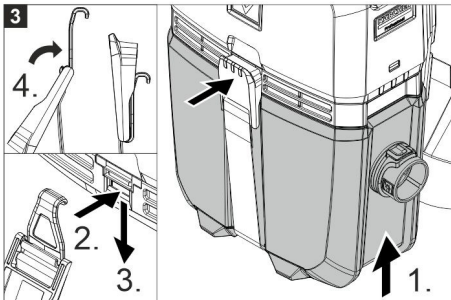
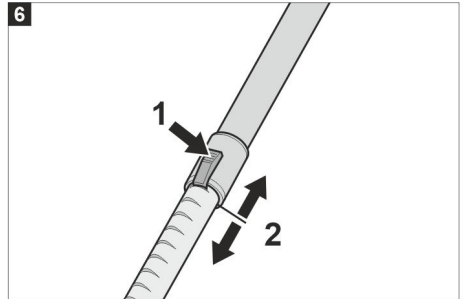
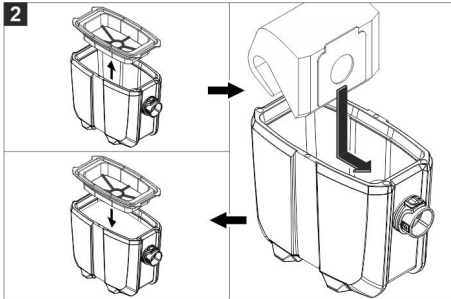
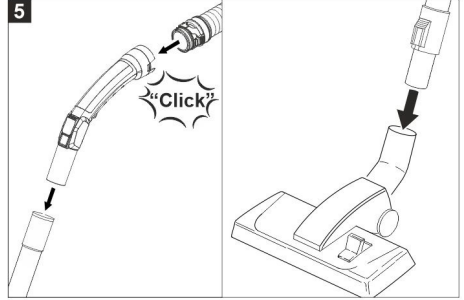
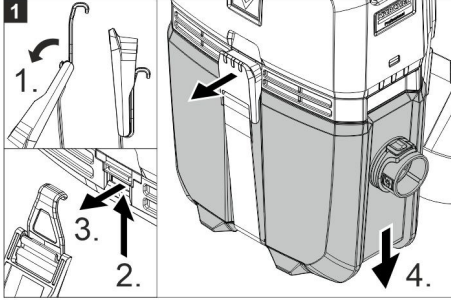
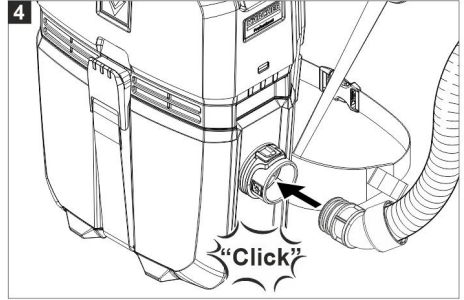
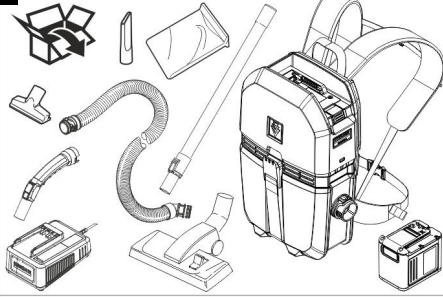


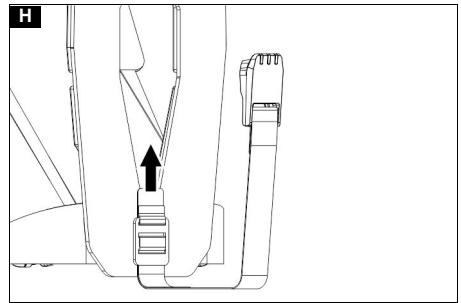
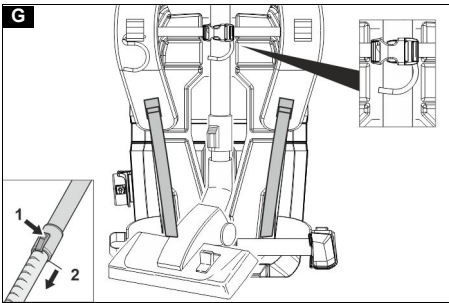
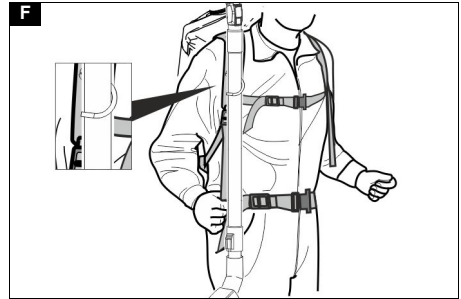
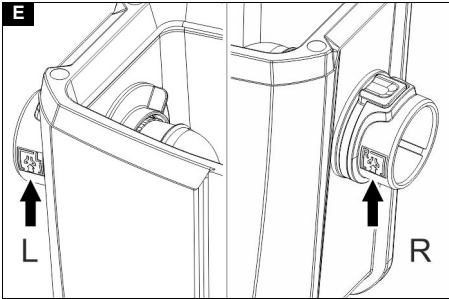
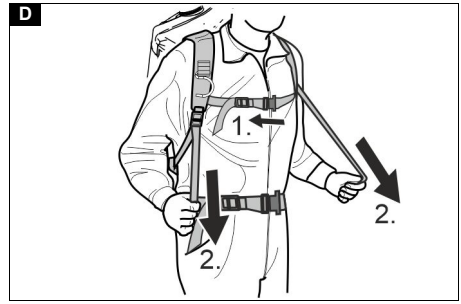
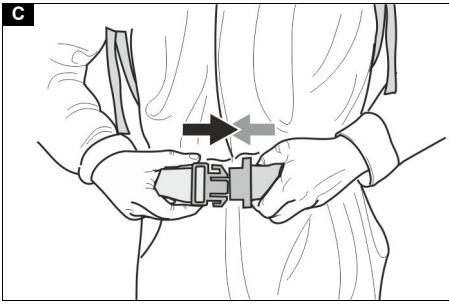
**Register
your product**
www.kaercher.com/welcome



59694360 (09/21)



B



Contents

IMPORTANT SAFETY INSTRUCTIONS	5
General notes	7
Environmental protection	7
Hazard levels	7
Intended use	8
Safety information	8
Description of the device	8
Symbols on the device	9
Preparation	9
Initial startup	9
Operation	9
Transport	10
Storage	10
Care and service	10
Troubleshooting guide	11
Warranty	12
Accessories and spare parts	12
Technical data	13

IMPORTANT SAFETY INSTRUCTIONS

READ ALL IN- STRUCTIONS BE- FORE USING THIS MACHINE

- Inform your dealer immediately if there is any shipping damage.
- Completely remove the accessories from the box.
- The machine is not suitable for sucking up hazardous dusts as asbestos. Please consult your KÄRCHER branch or your KÄRCHER dealer with regard to such applications.

SAVE THESE IN- STRUCTIONS

When using an electrical machine, basic precautions should always be followed, including the following:

This vacuum is intended for commercial use.

SAFETY IN- STRUCTIONS

⚠ WARNING

To reduce the risk of fire, electric shock, or injury:

- 1 Do not charge the battery pack outdoors.
- 2 DISCONNECT BATTERY PACK FROM VACUUM CLEANER before removing the cover, performing maintenance work, and when not in use.
- 3 ALWAYS CHECK THE CHARGER for damage or signs of any aging before each use.
- 4 Charger: DO NOT UNPLUG BY PULLING CORD. To unplug, grasp plug, not cord.
- 5 Charger: DO NOT GRASP PLUG WITH WET HANDS.
- 6 DO NOT USE OUTDOORS OR ON WET SURFACES.
- 7 TO AVOID SHOCK, do not expose to rain. Store indoors.
- 8 USE ONLY AS RECOMMENDED BY THIS MANUAL. Use only with recommended attachments.
- 9 KEEP HAIR, CLOTHING, LOOSE JEWELRY, FINGERS and all parts of the body away from openings and moving parts.
- 10 DO NOT BLOCK OR OBSTRUCT OPENINGS. Keep openings free of lint, hair, dust, and anything that restricts air flow.

- 11 DO NOT PICK UP ANYTHING THAT IS BURNING, smoldering, or smoking such as matches, cigarettes, or hot ashes.
- 12 DO NOT USE TO VACUUM COMBUSTIBLE EXPLOSIVE MATERIALS, such as coal, grain, and other finely divided combustible material.
- 13 DO NOT USE TO VACUUM COMBUSTIBLE, hazardous, toxic, or carcinogenic materials, including gasoline, diesel fuel, acetone, paint thinner, heating oils, undiluted acids and solvents, pesticide, and asbestos.
- 14 USE RECOMMENDED FILTERS when vacuuming drywall materials.
- 15 DO NOT USE WITHOUT FILTER and/or dust bag in proper place.
- 16 DO NOT ALLOW VACUUM CLEANER TO BE USED AS A TOY. Keep children away from Vacuum Cleaner.
- 17 DO NOT LEAVE UNATTENDED while Vacuum Cleaner is running.
- 18 DO NOT USE IF FILTER OR VACUUM CLEANER IS IN POOR CONDITION. If the Vacuum Cleaner has been dropped, damaged, exposed to weather, or dropped into water; have it checked by an authorized service.
- 19 ALWAYS USE EYE PROTECTION when operating Vacuum Cleaner.
- 20 USE EXTRA CAUTION when operating on stairs.
- 21 STAY ALERT! Do not use Vacuum Cleaner when you are tired or under the influence of drugs, alcohol or medication.
- 22 Prevent unintentional starting. Ensure the switch is in the off-position before connecting to battery pack, picking up or carrying the appliance. Carrying the appliance with your finger on the switch or energizing appliance that have the switch on invites accidents.
- 23 Disconnect the battery pack from the appliance before making any adjustments, changing accessories, or storing appliance. Such preventive safety measures reduce the risk of starting the appliance accidentally.
- 24 Recharge only with the charger specified by the manufacturer. A charger that is suitable for one type of battery pack may create a risk of fire when used with another battery pack.
- 25 Use appliances only with specifically designated battery packs. Use of any other battery packs may create a risk of injury and fire.
- 26 When battery pack is not in use, keep it away from other metal objects, like paper clips, coins, keys, nails, screws or other small metal objects, that can make a connection from one terminal to another. Shorting the battery terminals together may cause burns or a fire.
- 27 Do not use a battery pack or appliance that is damaged or modified. Damaged or modified batteries may exhibit unpredictable behavior resulting in fire, explosion or risk of injury.
- 28 Do not expose a battery pack or appliance to fire or excessive temperature. Exposure to fire or temperature above 265 °F (130 °C) may cause explosion.

29 Follow all charging instructions and do not charge the battery pack or appliance outside of the temperature range specified in the instructions. Charging improperly or at temperatures outside of the specified range may damage the battery and increase the risk of fire.

30 Have servicing performed by a qualified repair person using only identical replacement parts. This will ensure that the safety of the product is maintained.

31 Do not modify or attempt to repair the appliance or the battery pack (as applicable) except as indicated in the instructions for use and care.

32 The carrying system is equipped with a quick-release mechanism so that it can be removed quickly in a hazardous situation. To do this, press the buckles of the chest and hip belts, remove the carrying system and place it on the ground.

General notes



Before using the device read the enclosed original instructions of this device, the battery pack and the charger. Act in accordance with them.

Keep these documents for future reference or for future owners.

- If the operating instructions are not observed, the device can be damaged and dangers could arise for users and other persons.
- Notify the dealer immediately in the case of shipping damage.
- Check the package contents when unpacking for missing accessories or for damage.

Environmental protection



The packing materials can be recycled. Please dispose of packaging in accordance with the environmental regulations.



Electrical and electronic appliances contain valuable, recyclable materials and often components such as batteries, rechargeable batteries or oil, which - if handled or disposed of incorrectly - can pose a potential threat to human health and the environment. However, these components are required for the correct operation of the appliance. Appliances marked by this symbol are not allowed to be disposed of together with the household rubbish.

Notes on the content materials (REACH)

Current information on content materials can be found at: www.kaercher.com/REACH

Hazard levels



DANGER

- Indication of an imminent threat of danger that will lead to severe injuries or even death.



WARNING

- Indication of a potentially dangerous situation that may lead to severe injuries or even death.



CAUTION

- Indication of a potentially dangerous situation that may lead to minor injuries.

ATTENTION

- Indication of a potentially dangerous situation that may lead to damage to property.

Intended use

WARNING

Health risk

Inhalation of dusts that are harmful to health

Do not use the device for vacuuming up dusts that are harmful to health.

ATTENTION

Damage to the device

Short-circuit due to high levels of humidity

Only use and store the device indoors.

- This universal vacuum cleaner for carpets is intended for dry cleaning floor and wall surfaces.
- This device is suitable for commercial use, e.g. in hotels, schools, hospitals, factories, shops, offices, and rental companies.

Safety information

Pacemaker

DANGER

Danger due to radiated high frequency/electric magnetic fields

Health risk when wearing a pacemaker
Observe the following safety instructions when handling the device.

- *If you are wearing a pacemaker, we recommend that you consult your doctor or the manufacturer of the pacemaker about possible precautions before operating the device.*
- *Not all types of pacemakers are equally resistant to radiation in the immediate vicinity of radiated high frequency/electric magnetic fields, which could lead to problems in the operation of the device.*
- *If your doctor can not guarantee your safety, do not use the device!*

Description of the device



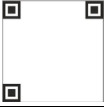
Illustration A

- ① HEPA filter (special accessory)
- ② Motor protection filter
- ③ Base plate
- ④ Housing for motor protection filter
- ⑤ Shoulder straps
- ⑥ Type plate
- ⑦ Unlocking button
- ⑧ Hip belt buckle
- ⑨ Holder for upholstery nozzle
- ⑩ Hip belt
- ⑪ Suction hose port (outside)
- ⑫ Main filter basket
- ⑬ Fleece filter bag
- ⑭ Handle
- ⑮ Rechargeable battery pack
- ⑯ Suction head
- ⑰ QR code for video instructions
- ⑱ Dirt receptacle closure
- ⑲ Dirt receptacle
- ⑳ Closure strap
- ㉑ Chest strap buckle
- ㉒ Chest strap (height adjustable)
- ㉓ Carrying system
- ㉔ Centre straps
- ㉕ Hook for telescopic suction pipe on shoulder straps
- ㉖ Hook for telescopic suction pipe on carrying system (parking position)
- ㉗ Hard surface/carpet switch
- ㉘ Floor nozzle
- ㉙ Telescopic suction pipe
- ㉚ Eco button (energy-saving mode)
- ㉛ Charge indicator
- ㉜ Main switch
- ㉝ Control unit
- ㉞ Holder for crevice nozzle
- ㉟ Suction control
- ㊱ Angle piece
- ㊲ Suction hose

Colour coding

- Control elements for the cleaning process are yellow.
- Control elements for maintenance and servicing are light grey.

Symbols on the device

	Suction hose connection for right-handed users
	Suction hose connection for left-handed users
	QR code for video instructions

Preparation

1. Unpack the device and install the accessories.

Illustration B

Initial startup

1. Check if the main filter basket is inserted in the device.

Operating modes

- 1 Operation with the filter bag
- 2 Operation without the filter bag

Inserting the battery pack

1. Slide the battery pack into the battery holder and lock it in place.

Adjusting the hip belt, chest strap and shoulder straps

1. Put the device on its back.
2. Engage the buckle of the hip belt and adjust the hip belt.
3. Engage the buckle of the chest strap and adjust the chest strap (height adjustable). Adjust the device to the body by pulling on the centre straps. Do not put on too tight, the main load should be on the hip belt.

Illustration D

Charging the battery pack

Note

Please read the operating instructions of the charger manufacturer, especially the chapters on safety instructions!

Note

Please read the operating instructions of the battery pack manufacturer, especially the chapters on safety instructions!

Note

The battery pack is partially charged on delivery. Charge before use and when necessary.

Note

The battery pack can only be charged when it is removed.

1. Press the unlocking button and remove the battery pack.
2. Charge the battery pack according to the operating instructions of the charger manufacturer and the battery pack manufacturer.

Operation

ATTENTION

Danger due to technical defect

Risk of damage to the device
Immediately switch off the engine as the suction performance decreases.

Aligning the dirt receptacle

1. Align the dirt receptacle so that the suction hose comes out on the working side when the carrying system is worn (right/left-handed operation). The respective symbol can then be seen on the front.

Illustration E

Switch on the device

1. Switch on the device at the main switch.

Eco-Mode

Eco button (energy-saving mode): The device works with reduced suction performance. The battery run time is extended.

1. To activate Eco-mode: Actuate the Eco button.
2. To switch off Eco-mode: Actuate the Eco button repeatedly.

Adjusting the suction power

1. Regulate the suction power on the suction control.

Cleaning mode

1. Set the floor nozzle switch to hard surface or carpet.
2. Perform cleaning.
3. Change of location/work interruption: If necessary, hang the telescopic suction pipe on the hook of the shoulder strap so that you have both hands free. The hook can be attached to the right or left shoulder strap.

Illustration F

Switching off the device

1. Switch off the device at the main switch.

Each time after use

1. Empty the dirt receptacle.
2. Clean the device and accessories with a damp cloth after use.

Storing the device

1. Push in the telescopic suction pipe. Store the telescopic suction pipe and floor nozzle as shown in the illustration.

Illustration G

2. Store the device in a dry room or hang it by the handle and secure it against unauthorised use.

Transport

⚠ CAUTION

Failure to observe the weight

Risk of injury and damage
Be aware of the weight of the device during transportation.

1. When transporting the device in vehicles, secure it to prevent it from slipping or overturning in accordance with the respective valid guidelines.

Storage

⚠ CAUTION

Failure to observe the weight

Risk of injury and damage
Be aware of the weight of the device during storage.

The device may only be stored indoors.

1. Press the unlocking button and remove the battery pack to prevent discharge.

Care and service

⚠ DANGER

Danger of electric shock

Injuries due to touching live parts
Switch off the device.

Remove the battery pack.

Changing the fleece filter bag

1. Unlock and remove the dirt receptacle.

Figure 1

2. Remove the main filter basket.
3. Remove the fleece filter bag.
4. Pull the new fleece filter bag with rubber flange over the suction hose port (inside).
5. Put the main filter basket back on.

Figure 2

6. Fit and lock the dirt receptacle.

Figure 3

Cleaning the main filter basket

ATTENTION

Danger from wet main filter basket

Risk of damage to the device

Never insert the main filter basket when wet.

1. If necessary, clean the main filter basket under running water.

Replacing the HEPA filter

HEPA filter (special accessory):

Change once a year

1. Unlock and remove the dirt receptacle (including the main filter basket).
2. Turn the suction head by 180°.
3. Unlock and remove the HEPA filter (special accessory).
4. Insert a new HEPA filter (special accessory) and click it into place.
5. Turn the suction head by 180°.
6. Insert and lock the dirt receptacle (including the main filter basket).

Replacing the motor protection filter

1. Unlock and remove the dirt receptacle (including the main filter basket).
2. Turn the suction head by 180°.
3. If necessary, unlock and remove the HEPA filter (special accessory).
4. Remove the motor protection filter.
5. Fit the new motor protection filter.
6. If necessary, insert the HEPA filter (special accessory) and click it into place.
7. Turn the suction head by 180°.
8. Insert and lock the dirt receptacle (including the main filter basket).

Readjusting the closure strap

1. Unlock and remove the dirt receptacle (including the main filter basket).
2. Readjust the closure strap so that the dirt receptacle (including the main filter basket) lies tightly against the suction head.

Illustration H

3. Insert and lock the dirt receptacle (including the main filter basket).

Troubleshooting guide

⚠ DANGER

Danger of electric shock

Injuries due to touching live parts

Switch off the device.

Remove the battery pack.

Note

The device must be switched off immediately if a malfunction occurs (e.g. filter breakage). The malfunction must be eliminated before switching the device on again.

The device stops during operation

The motor thermo-protector has triggered

1. Changing the fleece filter bag.
2. Replace the motor protection filter.
3. Check all parts for clogging.
4. Switch on the device.

Suction power decreases

1. Changing the fleece filter bag.
2. Clean the main filter basket under running water and dry.
3. Correctly position/lock the dirt receptacle (including the main filter basket), readjust the closure strap if necessary.

Escaping dust when vacuuming

1. Change the faulty fleece filter bag.
2. Check the fit of the fleece filter bag.
3. Correctly position/lock the dirt receptacle (including the main filter basket), readjust the closure strap if necessary.
4. Insert the undamaged main filter basket.
5. Insert the motor protection filter correctly.

No or insufficient suction performance

1. Remove any blockages from the suction nozzle, suction pipe or suction hose.
2. Replace the defective suction hose.
3. Changing the fleece filter bag.
4. Correctly position/lock the dirt receptacle (including the main filter basket), readjust the closure strap if necessary.
5. Clean the main filter basket under running water and dry.
6. Insert the undamaged main filter basket.
7. Replace the motor protection filter.

Device not running

1. Switch on the device.
2. Allow the overheated board to cool down.
3. Charge the battery pack.
4. Insert the battery pack.

Customer Service department

If the malfunction cannot be corrected, the device must be checked by the Customer Service department.

Warranty

The warranty conditions issued by our relevant sales company apply in all countries. We shall remedy possible malfunctions on your appliance within the warranty period free of cost, provided that a material or manufacturing defect is the cause. In a warranty case, please contact your dealer (with the purchase receipt) or the next authorised customer service site.

(See overleaf for the address)

Accessories and spare parts

Only use original accessories and original spare parts. They ensure that the appliance will run fault-free and safely. Information on accessories and spare parts can be found at www.kaercher.com.

Spare parts list


Only use KÄRCHER original battery packs, not non-rechargeable batteries.

Description	Order number, spare part	Item No., unpacked
Battery pack Battery Power+ 36/75	2.445-075.0	6.445-122.0
Battery pack Battery Power+ 36/60	2.445-076.0	6.445-123.0
Quick charger Battery Power+ 36/60 (CUL)	2.445-053.0	6.445-071.0

Technical data

BVL 5/1 Bp (Pack)

Electrical connection

Battery pack nominal voltage	V	36 DC
Protection class		III
Rated current	A	14.0

Device performance data

Tank content	gal (l)	1.3 (5)
Air quantity (max.)	CFM (l/s)	85 (40)
Vacuum (max.)	mm (kPa)	2141 (21.0)

Operating time at full battery charge - Minutes 22/Eco: 50
Battery Power+ 36/60 battery pack

Operating time at full battery charge - Minutes 30/Eco: 64
Battery Power+ 36/75 battery pack

Dimensions and weights

Typical operating weight	lbs (kg)	11.0 (5.0)
Length x width x height	in (mm)	8.7 x 12.6 x 20.1 (220 x 320 x 510)
Diameter of the suction hose	in (mm)	1.38 (35)
Length of the suction hose	ft (m)	3.3 (1.0)

Ambient conditions

Ambient temperature (max.) °F (°C) 104 (+40)

Determined values in acc. with EN 60335-2-69

Sound pressure level L_{pA}	dB(A)	65
Uncertainty K_{pA}	dB(A)	2
Hand-arm vibration value	m/s^2	<2.5
Uncertainty K	m/s^2	0.2

Subject to technical modifications.

Contenu

CONSIGNES DE SECURITE IM- PORTANTES.....	14
Remarques générales.....	16
Protection de l'environnement.....	17
Niveaux de danger.....	17
Utilisation conforme.....	17
Consignes de sécurité.....	17
Description de l'appareil.....	18
Symboles sur l'appareil.....	18
Préparation.....	18
Mise en service.....	18
Commande.....	19
Transport.....	20
Stockage.....	20
Entretien et maintenance.....	20
Dépannage en cas de défaut.....	21
Garantie.....	22
Accessoires et pièces de rechange ...	22
Caractéristiques techniques.....	23

CONSIGNES DE SECURITE IMPORTANTES

LIRE TOUTES LES INSTRUC- TIONS AVANT D'UTILISER CETTE MACHINE

- Informer immédiatement votre fournisseur en cas de constat de dommage dû au transport.
- Sortir tous les accessoires de l'emballage.
- La machine n'est pas adaptée à l'aspiration de poussières dangereuses telles que celles d'amiante. Veuillez consulter votre spécialiste KÄRCHER ou votre distributeur KÄRCHER pour de telles utilisations.

CONSERVER CES INSTRUC- TIONS

Lorsque vous utilisez un appareil électrique, vous devez prendre certaines précautions de base, dont la suivante : **Cet aspirateur est prévu pour une utilisation professionnelle.**

CONSIGNES DE SECURITE

⚠ AVERTISSEMENT

Pour réduire les risques d'incendie, de choc électrique ou de blessures :

- 1 Ne pas recharger le bloc batterie à l'extérieur.
- 2 DEBRANCHER LA BATTERIE DE L'ASPIRATEUR A VIDE avant de retirer le capot, de réaliser des travaux d'entretien et lorsqu'il n'est pas utilisé.
- 3 VERIFIER SYSTEMATIQUEMENT LE CHARGEUR en termes de dommages ou de signes de vieillissement avant chaque utilisation.
- 4 Chargeur : NE PAS TIRER SUR LE CABLE POUR DEBRANCHER L'APPAREIL. Pour débrancher, ne pas saisir le câble, mais la fiche.
- 5 Chargeur : NE PAS SAISIR LA FICHE AVEC LES MAINS MOUILLEES.
- 6 NE PAS UTILISER EN EXTÉRIEUR OU SUR DES SURFACES MOUILLEES
- 7 POUR EVITER TOUT RISQUE D'ELECTROCUTION, ne pas placer l'appareil sous la pluie. Stocker à l'intérieur.

- 8 UTILISER CE MANUEL UNIQUEMENT CONFORMEMENT AUX RECOMMANDATIONS. Utilisation uniquement avec les extensions recommandées.
- 9 Maintenir les CHEVEUX, VETEMENTS, BIJOUX PENDANTS, DOIGTS et tous les membres du corps éloignés des ouvertures et des pièces mobiles.
- 10 NE PAS COUVRIR NI FERMER LES OUVERTURES. Maintenir les ouvertures à l'abri des peluches, cheveux et de la poussière, en particulier lorsque ceux-ci gênent le flux d'air.
- 11 NE PAS ASPIRER CE QUI BRULE, gonfle ou fume comme les allumettes, les cigarettes ou la cendre chaude.
- 12 NE PAS ASPIRER DE MATÉRIAUX COMBUSTIBLES EXPLOSIFS, tels que charbon, grains et autres matériaux combustibles finement divisés.
- 13 NE PAS ASPIRER DE MATÉRIAUX COMBUSTIBLES, dangereux, toxiques ou cancérigènes comme l'essence, le gas-oil, l'acétone, les diluants à peinture, le fuel domestique, les acides et les solvants non dilués, les pesticides et l'amiante.
- 14 UTILISER LES FILTRES RECOMMANDÉS pour aspirer des matériaux en carton-plâtre.
- 15 NE PAS UTILISER SANS FILTRE ou sac à poussières mal installés.
- 16 NE PAS LAISSER L'ASPIRATEUR ETRE UTILISE COMME UN JOUET. Tenir les enfants éloignés de l'aspirateur.
- 17 NE PAS LAISSER l'aspirateur en marche SANS SURVEILLANCE.
- 18 NE PAS UTILISER SI LE FILTRE OU L'ASPIRATEUR A VIDE N'EST PAS EN BON ETAT. Si l'aspirateur à vide est tombé, endommagé, a été exposé aux intempéries ou plongé dans l'eau, le faire vérifier par un service de réparation autorisé.
- 19 PORTER SYSTEMATIQUEMENT DES LUNETTES DE PROTECTION lors de l'utilisation de l'aspirateur.
- 20 ETRE PARTICULIEREMENT ATTENTIF, lors de l'utilisation dans des escaliers.
- 21 RESTER ATTENTIF ! Ne pas utiliser l'aspirateur en cas de fatigue ni sous l'influence de drogues, d'alcool ou de médicaments.
- 22 Empêcher tout démarrage par inadvertance S'assurer que l'interrupteur se trouve en position Arrêt avant de raccorder l'appareil au bloc-batterie, de le saisir ou de le porter. Porter l'appareil avec votre doigt sur l'interrupteur ou mettre l'appareil sous tension alors que l'interrupteur est allumé est un facteur d'accident.
- 23 Débrancher le bloc-batterie de l'appareil avant de procéder à tout réglage, changement d'accessoires, ou avant de stocker l'appareil. Ces mesures de prévention réduisent le risque de démarrage accidentel de l'appareil.
- 24 Pour recharger l'appareil, utilisez uniquement le chargeur indiqué par le fabricant. Lors de l'utilisation d'un chargeur adapté à un certain type de bloc de batterie, il y a un risque d'incendie s'il est utilisé avec un autre bloc de batterie.

- 25N'utiliser les appareils qu'avec les blocs-batteries spécifiquement conçus. L'utilisation de tout autre bloc-batterie peut entraîner un risque de blessure et d'incendie.
- 26Lorsque le bloc-batterie n'est pas utilisé, le maintenir éloigné des autres objets métalliques tels que trombones, pièces de monnaie, clés, clous, vis ou autres petits objets métalliques qui pourraient provoquer une connexion d'une borne à l'autre. Court-circuiter les contacts de charge ensemble est susceptible de provoquer des brûlures ou un incendie.
- 27N'utilisez pas de bloc de batterie endommagé ou modifié ou pas d'appareil endommagé ou modifié. Des processus imprévisibles, pouvant entraîner un incendie, des explosions ou blessures peuvent survenir dans des batteries endommagées ou modifiées.
- 28N'exposez pas un bloc de batterie ou un appareil aux flammes ou à des températures excessives. Le contact avec des flammes ou une température de plus de 130 °C peut entraîner des explosions.
- 29Respectez toutes les consignes de charge et ne chargez le bloc de batterie ou l'appareil que dans la plage de températures indiquée dans les instructions. En cas de charge incorrecte ou réalisée en dehors de la plage de températures indiquée, le bloc de batterie risque d'être endommagé et le risque d'incendie d'être accru.

- 30Ne faites entretenir l'appareil que par du personnel de maintenance qualifié, qui utilise uniquement les pièces détachées correspondantes. Cela permet de garantir la sécurité produite.
- 31Ne pas modifier ni tenter de réparer l'appareil ou le bloc-batterie (le cas échéant), sauf conformément aux instructions d'utilisation et d'entretien.
- 32Le système de portage est équipé d'un mécanisme de libération rapide afin de permettre un retrait rapide en cas de situation dangereuse. Pour ce faire, appuyer sur les boucles des ceintures situées au niveau de la poitrine et des hanches, retirer le système de portage et le poser au sol.

Remarques générales



Avant d'utiliser l'appareil pour la première fois, lire le manuel d'instructions original ci-joint pour l'appareil, la batterie et le chargeur. Suivre ces instructions. Conservez les documents pour une utilisation ultérieure ou pour le propriétaire suivant.

- Le non-respect des manuels d'instructions et des consignes de sécurité peut entraîner des dommages sur l'appareil et des dangers pour l'opérateur et d'autres personnes.
- Informer immédiatement le vendeur en cas de dommage dû au transport.
- Vérifiez le contenu de l'emballage lors du déballage, qu'il ne manque pas d'accessoires et qu'il n'y a pas de dommage.

Protection de l'environnement



Les matériaux d'emballage sont recyclables. Veuillez éliminer les emballages dans le respect de l'environnement.



Les appareils électriques et électroniques contiennent des matériaux précieux recyclables et souvent des composants tels que des piles, batteries ou de l'huile représentant un danger potentiel pour la santé humaine et l'environnement, s'ils ne sont pas manipulés ou éliminés correctement. Ces composants sont cependant nécessaires pour le fonctionnement correct de l'appareil. Les appareils marqués par ce symbole ne doivent pas être jetés dans les ordures ménagères.

Remarques concernant les matières composantes (REACH)

Les informations actuelles concernant les matières composantes sont disponibles sous : www.kaercher.com/REACH

Niveaux de danger

DANGER

● Indique un danger immédiat qui peut entraîner de graves blessures corporelles ou la mort.

AVERTISSEMENT

● Indique une situation potentiellement dangereuse qui peut entraîner de graves blessures corporelles ou la mort.

PRÉCAUTION

● Indique une situation potentiellement dangereuse qui peut entraîner des blessures légères.

ATTENTION

● Indique une situation potentiellement dangereuse qui peut entraîner des dommages matériels.

Utilisation conforme

AVERTISSEMENT

Risque pour la santé

Inhalation de poussières nocives

Ne pas utiliser l'appareil pour l'aspiration de poussières nocives.

ATTENTION

Endommagement de l'appareil

Court-circuit dû à une humidité de l'air élevée

Utiliser et stocker l'appareil uniquement en intérieur.

- Cet aspirateur universel est conçu pour le nettoyage à sec de surfaces de sols et murales.
- Cet appareil est adapté à une utilisation professionnelle, p. ex. dans les hôtels, écoles, hôpitaux, usines, magasins, bureaux et loueurs.

Consignes de sécurité

Stimulateur cardiaque

DANGER

Danger dû aux rayonnements haute fréquence/champs électromagnétiques

Risque pour la santé si vous portez un stimulateur cardiaque

Respecter les consignes de sécurité suivantes lors de la manipulation de cet appareil.

- *Si vous portez un stimulateur cardiaque, nous vous recommandons de consulter votre médecin ou le fabricant du stimulateur cardiaque pour connaître les éventuelles précautions à prendre avant de faire fonctionner l'appareil.*

- Tous les types de stimulateurs cardiaques n'ont pas la même résistance aux rayonnements haute fréquence/champs électromagnétiques présents à proximité immédiate, ce qui pourrait entraîner des problèmes lors du fonctionnement de l'appareil.
- Si votre médecin ne peut pas garantir une totale innocuité, n'utilisez pas l'appareil !

Description de l'appareil

Illustration A




- ① Filtre HEPA (accessoire spécial)
- ② Filtre de protection moteur
- ③ Plaque de base
- ④ Boîtier pour filtre de protection moteur
- ⑤ Bretelles
- ⑥ Plaque signalétique
- ⑦ Touche de déverrouillage
- ⑧ Fermeture de la ceinture ventrale
- ⑨ Support suceur pour canapés
- ⑩ Ceinture ventrale
- ⑪ Tubulure d'aspiration (extérieur)
- ⑫ Panier de filtre principal
- ⑬ Sac du filtre en feutre
- ⑭ Poignée
- ⑮ Bloc-batterie
- ⑯ Tête d'aspiration
- ⑰ Code QR pour les instructions vidéo
- ⑱ Fermeture du collecteur d'impuretés
- ⑲ Collecteur d'impuretés
- ⑳ Sangle de verrouillage
- ㉑ Fermeture de la ceinture pectorale
- ㉒ Ceinture pectorale (réglable en hauteur)
- ㉓ Système de transport
- ㉔ Sangles des bretelles
- ㉕ Crochet pour tube télescopique d'aspiration sur la bretelle
- ㉖ Crochet pour tube télescopique d'aspiration sur le système de transport (position de stationnement)
- ㉗ Commutateur Surface dure/Moquette
- ㉘ Buse pour sol

- ㉙ Tube télescopique d'aspiration
- ㉚ Touche Eco (mode économie d'énergie)
- ㉛ Indicateur de charge
- ㉜ Interrupteur principal
- ㉝ Bloc de commande
- ㉞ Support pour suceur fentes
- ㉟ Régulateur de puissance d'aspiration
- ㊱ Coude
- ㊲ Tuyau d'aspiration

Code couleur

- Les éléments de commande pour le processus de nettoyage sont jaunes.
- Les éléments de commande pour la maintenance et le service sont gris clair.

Symboles sur l'appareil

	Raccord de tuyau d'aspiration pour droitiers
	Raccord de tuyau d'aspiration pour gauchers
	Code QR pour les instructions vidéo

Préparation

1. Déballez l'appareil et assemblez les accessoires.

Illustration B

Mise en service

1. Vérifiez si le panier de filtre principal est inséré dans l'appareil.

Modes

- 1 Fonctionnement avec sac aspirateur
- 2 Fonctionnement sans sac aspirateur

Insérer le bloc-batterie

1. Insérer le bloc-batterie dans le support de batterie et l'enclencher.

Réglage de la ceinture ventrale, de la ceinture pectorale et des bretelles

1. Placer l'appareil sur le dos.
2. Enclencher la fermeture de la ceinture ventrale et régler la ceinture ventrale.

Illustration C

3. Enclencher la fermeture de la ceinture pectorale et régler la ceinture pectorale (réglable en hauteur).
Ajuster l'appareil au corps en tirant sur les sangles des bretelles. Ne pas trop serrer, la charge principale doit se situer sur la ceinture ventrale.

Illustration D

Charger le bloc-batterie

Remarque

Lire le manuel d'utilisation du fabricant de chargeur et respecter les consignes de sécurité !

Remarque

Lire le manuel d'utilisation du fabricant de bloc-batterie et respecter les consignes de sécurité !

Remarque

La batterie est partiellement chargée à la livraison. Charger avant la mise en service et en cas de besoin.

Remarque

La batterie ne peut être chargée que lorsqu'elle est retirée.

1. Appuyer sur la touche de déverrouillage et retirer le bloc-batterie.
2. Charger le bloc-batterie conformément aux instructions du fabricant de chargeur et du fabricant de bloc-batterie.

Commande

ATTENTION

Danger dû à un défaut technique

Risque d'endommager l'appareil
Arrêter immédiatement le moteur lorsque la puissance d'aspiration diminue.

Positionnement du collecteur d'impuretés

1. Positionner le collecteur d'impuretés de manière à ce que le tuyau d'aspiration sorte du côté travail lorsque le système de transport est utilisé (fonctionnement pour droitier/gaucher). Le symbole correspondant est alors visible sur le devant.

Illustration E

Démarrer l'appareil

1. Mettre l'appareil en marche à l'interrupteur principal.

Mode Eco

Mode Eco (mode économie d'énergie) : l'appareil fonctionne avec une puissance d'aspiration réduite. L'autonomie de la batterie augmente en conséquence.

1. Activer le mode Eco : Actionner la touche Eco.
2. Désactiver le mode Eco : Actionner de nouveau la touche Eco.

Ajuster la puissance d'aspiration

1. Régler la force d'aspiration sur le régulateur de puissance d'aspiration.

Opération de nettoyage

1. Régler le commutateur de la buse pour sol sur Surface dure ou Moquette.
2. Réaliser le nettoyage.
3. Changement de lieu/interruption de travail : si nécessaire, accrocher le tube télescopique d'aspiration au crochet de la bretelle afin d'avoir les deux mains libres. Le crochet peut être fixé à la bretelle droite ou gauche.

Illustration F

Mise hors tension de l'appareil

1. Eteindre l'appareil à l'interrupteur principal.

Après chaque fonctionnement

1. Vider le collecteur d'impuretés.
2. Nettoyer l'appareil et les accessoires avec un chiffon humide après utilisation.

Rangement de l'appareil

1. Rentrer le tube télescopique d'aspiration. Ranger le tube télescopique d'aspiration et la buse pour sol conformément à la figure.

Illustration G

2. Placer l'appareil dans un endroit sec ou le suspendre par la poignée et le sécuriser contre une utilisation intempestive.

Transport

PRECAUTION

Non-observation du poids

Risque de blessure et d'endommagement

Observer le poids de l'appareil pour le transport.

1. En cas de transport de l'appareil dans des véhicules, le bloquer contre le glissement et le basculement suivant les normes en vigueur.

Stockage

PRECAUTION

Non-observation du poids

Risque de blessure et d'endommagement

Tenir compte du poids de l'appareil pour le stockage.

L'appareil doit être stocké exclusivement en espace intérieur.

1. Appuyer sur la touche de déverrouillage et retirer le bloc-batterie pour éviter qu'il ne se décharge.

Entretien et maintenance

DANGER

Risque d'électrocution

Blessures dues au contact avec des pièces sous tension

Mettre l'appareil hors tension.

Retirer le bloc-batterie.

Remplacement du sac du filtre en feutre

1. Déverrouiller et retirer le collecteur d'impuretés.

Figure 1

2. Retirer le panier de filtre principal.
3. Extraire le sac du filtre en feutre
4. Tirer le nouveau sac du filtre en feutre avec une bride en caoutchouc sur la tubulure d'aspiration (intérieur).
5. Remettre le panier de filtre principal en place.

Figure 2

6. Insérer et verrouiller le collecteur d'impuretés.

Figure 3

Nettoyage du panier de filtre principal

ATTENTION

Danger dû au panier de filtre principal humide

Risque d'endommager l'appareil

Ne jamais mouiller le panier de filtre principal.

1. Si nécessaire, nettoyer le panier de filtre principal à l'eau courante.

Remplacement du filtre HEPA

Filtre HEPA (accessoire spécial) :

Changer 1x par an

1. Déverrouiller et retirer le collecteur d'impuretés (panier de filtre principal inclus).
2. Tourner la tête d'aspiration de 180°.
3. Déverrouiller et retirer le filtre HEPA (accessoire spécial).
4. Insérer et enclencher un nouveau filtre HEPA (accessoire spécial).
5. Tourner la tête d'aspiration de 180°.
6. Insérer et verrouiller le collecteur d'impuretés (panier de filtre principal inclus).

Remplacement du filtre de protection moteur

1. Déverrouiller et retirer le collecteur d'impuretés (panier de filtre principal inclus).
2. Tourner la tête d'aspiration de 180°.
3. Si nécessaire, déverrouiller et retirer le filtre HEPA (accessoire spécial).
4. Retirer le filtre de protection moteur.
5. Mettre un filtre de protection moteur neuf en place.
6. Si nécessaire, insérer et enclencher le filtre HEPA (accessoire spécial).
7. Tourner la tête d'aspiration de 180°.
8. Insérer et verrouiller le collecteur d'impuretés (panier de filtre principal inclus).

Réglage de la sangle de verrouillage

1. Déverrouiller et retirer le collecteur d'impuretés (panier de filtre principal inclus).
2. Régler la sangle de verrouillage de sorte que le collecteur d'impuretés (panier de filtre principal inclus) soit positionné tout contre la tête d'aspiration.

Illustration H

3. Insérer et verrouiller le collecteur d'impuretés (panier de filtre principal inclus).

Dépannage en cas de défaut

DANGER

Risque d'électrocution

Blessures dues au contact avec des pièces sous tension

Mettre l'appareil hors tension.

Retirer le bloc-batterie.

Remarque

Si un dérangement se produit (p. ex. une cassure du filtre), mettre l'appareil immédiatement hors tension. Le dérangement doit être réparé avant de remettre l'appareil sous tension.

L'appareil s'arrête pendant le fonctionnement

Le thermoprotecteur moteur a répondu

1. Remplacer le sac du filtre en feutre.
2. Remplacer le filtre de protection moteur.
3. Contrôler l'absence de colmatage sur toutes les pièces.
4. Remettre l'appareil sous tension.

La puissance d'aspiration diminue

1. Remplacer le sac du filtre en feutre.
2. Nettoyer le panier-filtre principal sous l'eau courante et le sécher.
3. Placer/verrouiller correctement le collecteur d'impuretés (panier de filtre principal), régler la sangle de verrouillage si nécessaire.

Sortie de poussière lors de l'aspiration

1. Remplacer le sac du filtre en feutre défectueux.
2. Vérifier l'ajustement du sac du filtre en feutre.
3. Placer/verrouiller correctement le collecteur d'impuretés (panier de filtre principal), régler la sangle de verrouillage si nécessaire.
4. Insérer le panier de filtre principal non endommagé.
5. Insérer le filtre de protection du moteur correctement.

Puissance d'aspiration nulle ou insuffisante

1. Enlever les obstructions de la buse d'aspiration, du tube d'aspiration ou du tuyau d'aspiration.
2. Remplacer le tuyau d'aspiration défectueux.
3. Remplacer le sac du filtre en feutre.
4. Placer/verrouiller correctement le collecteur d'impuretés (panier de filtre principal), régler la sangle de verrouillage si nécessaire.
5. Nettoyer le panier de filtre principal sous l'eau courante et le sécher.
6. Insérer le panier de filtre principal non endommagé.
7. Remplacer le filtre de protection moteur.

L'appareil ne fonctionne pas

1. Mettre l'appareil sous tension.
2. Laisser refroidir la carte de circuit surchauffée.
3. Charger le bloc-batterie.
4. Insérer le bloc-batterie.

Service après-vente

Si le défaut ne peut pas être éliminé, l'appareil doit être contrôlé par le service après-vente.

Garantie

Les conditions de garantie publiées par notre société commerciale compétente s'appliquent dans chaque pays. Nous remédions gratuitement aux défauts possibles sur votre appareil dans la durée de garantie dans la mesure où la cause du défaut est un vice de matériau ou de fabrication. En cas de garantie, veuillez vous adresser à votre distributeur ou au point de service après-vente autorisé le plus proche avec la facture d'achat. (Voir l'adresse au dos)

Accessoires et pièces de rechange

Utiliser exclusivement des accessoires et pièces de rechange originaux. Ceux-ci garantissent le fonctionnement sûr et sans défaut de votre appareil.

Des informations sur les accessoires et pièces de rechange sont disponibles sur le site Internet www.kaercher.com.

Liste de pièces de rechange

Utilisez uniquement les blocs-batteries KÄRCHER d'origine et non des accumulateurs non-rechargeables.


Désignation	Référence, pièce de rechange	Référence, non emballé
Bloc-batterie Battery Power+ 36/75	2.445-075.0	6.445-122.0
Bloc-batterie Battery Power+ 36/60	2.445-076.0	6.445-123.0
Chargeur rapide Battery Power+ 36/60 (CUL)	2.445-053.0	6.445-071.0

Caractéristiques techniques

BVL 5/1 Bp (Pack)

Raccordement électrique

Tension nominale de la batterie V 36 DC

Classe de protection  III

Intensité nominale A 14.0

Caractéristiques de puissance de l'appareil

Contenu du réservoir gal (l) 1.3 (5)

Débit d'air (max.) CFM 85 (40)
(l/s)

Dépression (max.) mm 2141 (21.0)
(kPa)

Durée de fonctionnement à pleine charge - Bloc-batterie Battery Power+ 36/60 Minutes 22/Eco: 50

Durée de fonctionnement à pleine charge - Bloc-batterie Battery Power+ 36/75 Minutes 30/Eco: 64

Dimensions et poids

Poids opérationnel typique lbs (kg) 11.0 (5.0)

Longueur x largeur x hauteur in (mm) 8.7 x 12.6 x 20.1 (220 x 320 x 510)

Diamètre du tuyau d'aspiration in (mm) 1.38 (35)

Longueur du tuyau d'aspiration ft (m) 3.3 (1.0)

Conditions ambiantes

Température ambiante (max.) °F (°C) 104 (+40)

Valeurs déterminées selon EN 60335-2-69

Niveau de pression acoustique L_{pA} dB(A) 65

Incertitude K_{pA} dB(A) 2

Valeur de vibrations main-bras m/s^2 <2.5

Incertitude K m/s^2 0.2

Sous réserve de modifications techniques.

Índice de contenidos

INTRUCCIONES DE SEGURIDAD IMPORTANTES.....	24
Avisos generales.....	26
Protección del medioambiente.....	26
Niveles de peligro.....	27
Uso previsto.....	27
Instrucciones de seguridad.....	27
Descripción del equipo.....	27
Símbolos en el equipo.....	28
Preparación.....	28
Puesta en funcionamiento.....	28
Manejo.....	29
Transporte.....	30
Almacenamiento.....	30
Conservación y mantenimiento.....	30
Ayuda en caso de fallos.....	31
Garantía.....	32
Accesorios y recambios.....	32
Datos técnicos.....	33

INTRUCCIONES DE SEGURIDAD IMPORTANTES

LEA TODAS LAS INSTRUCCIONES ANTES DE USAR ESTA MÁQUINA

- Informe de inmediato a su distribuidor si hay daños de transporte.
- Extraiga el accesorio al completo del embalaje.
- La máquina no es apta para aspirar polvos peligrosos como el amianto. Póngase en contacto con su sucursal o distribuidor de KÄRCHER para realizar consultas sobre este tipo de usos.

GUARDE ESTAS INSTRUCCIONES

En caso de utilizar herramientas eléctricas acopladas al aparato, deberán observarse estrictamente todas las normas de seguridad básicas, a fin de prevenir cualquier riesgo de incendio, descargas eléctricas o daños o lesiones del personal encargado de manipular los mismos:

Esta aspiradora está diseñada para el uso industrial.

INTRUCCIONES DE SEGURIDAD

⚠ ADVERTENCIA

Para reducir el peligro de incendio, choque eléctrico o lesión:

- 1 No cargue la batería al aire libre.
- 2 **DESCONECTE LA BATERÍA DE LA ASPIRADORA** antes de quitar la cubierta o de realizar trabajos de mantenimiento y cuando no esté utilizando el equipo.
- 3 **REVISE SIEMPRE EL CARGADOR** antes de cada uso para ver si presenta daños o signos de deterioro.
- 4 Cargador: **NO LO DESCONECTE TIRANDO DEL CABLE.** Para desconectarlo, tire del conector y no del cable.
- 5 Cargador: **NO MANIPULE EL CONECTOR CON LAS MANOS MOJADAS.**
- 6 **NO USAR EN EXTERIORES NI EN SUPERFICIES MOJADAS.**
- 7 **PARA EVITAR UN CHOQUE ELÉCTRICO,** no exponer el equipo a la lluvia. Almacenar en interiores.
- 8 **UTILIZAR SOLO CONFORME A LAS RECOMENDACIONES DE ESTE MANUAL.** Utilizar solamente con los accesorios recomendados.

- 9 Mantener alejado PELO, ROPA, SUCIEDAD SUELTA, DEDOS y todas partes del cuerpo de las aberturas y piezas móviles.
- 10NO TAPAR O CERRAR LAS ABERTURAS. Mantener las aberturas libres de pelusas, pelos y polvo, así como todas las que obstaculiza el flujo de aire.
- 11NO ASPIRAR NADA QUE ARDA, que se carbonice o genere humo, como cerillas, cigarrillos o llamas calientes.
- 12NO ASPIRE MATERIALES COMBUSTIBLES O EXPLOSIVOS, tal como carbón de piedra, cereales (o su polvo) u otra sustancia fina y combustible.
- 13NO ASPIRE MATERIALES COMBUSTIBLES, peligrosos, tóxicos o carcinógenos por ejemplo: gasolina, gasoil (petróleo para diesel), acetona, diluyente para pintura, aceite combustible, ácidos y disolventes no diluidos, pesticidas y amianto (asbesto).
- 14UTILIZAR EL FILTRO RECOMENDADO para aspirar material de yeso.
- 15NO UTILIZAR SIN UN FILTRO correctamente colocado o una bolsa de polvo.
- 16NO DEJAR UTILIZAR LA ASPIRADORA COMO UN JUGUETE. Mantener alejados a los niños de la aspiradora.
- 17NO DEJAR SIN SUPERVISIÓN la aspiradora en funcionamiento.
- 18NO LO USE SI EL FILTRO O LA ASPIRADORA NO ESTÁN EN BUENAS CONDICIONES. Si la aspiradora se ha caído, dañado, dejado al aire libre o caído al agua, solicite una revisión por parte de un servicio autorizado.
- 19LLEVAR SIEMPRE GAFAS DE PROTECCIÓN al usar la aspiradora.
- 20TENER ESPECIAL CUIDADO con las escaleras durante el uso.
- 21ESTAR ATENTO. No utilizar la aspiradora cansado o bajo la influencia de drogas, alcohol o medicamentos.
- 22Evitar cualquier arranque involuntario. Asegurarse de que el interruptor está en la posición de apagado antes de levantar o transportar el aparato o conectarlo a la batería. Transportar el aparato con el dedo en el interruptor o mientras está encendido aumenta el riesgo de accidentes.
- 23Desconectar la batería del aparato antes de realizar cualquier ajuste, cambiar accesorios o almacenar el aparato. Este tipo de medidas de seguridad preventivas reducen el riesgo de arranque no intencionado del aparato.
- 24Para recargar el equipo, utilice únicamente el cargador indicado por el fabricante. Cuando se utiliza un cargador adecuado para un tipo particular de batería, existe el riesgo de incendio si se utiliza con otro paquete de baterías.
- 25Utilizar aparatos solo con baterías diseñadas específicamente. El uso de cualquier otra batería puede suponer un riesgo de lesiones e incendio.
- 26Cuando no se utilice la batería, mantenerla alejada de otros objetos metálicos, como clips, monedas, llaves, clavos, tornillos u objetos metálicos pequeños que puedan establecer una conexión entre dos contactos. El cortocircuito de los contactos de carga entre sí puede provocar quemaduras o incendios.

27 No utilice una batería dañada o modificada ni un equipo dañado o modificado. Las baterías dañadas o modificadas pueden causar eventos impredecibles que podrían tener como resultado incendios, explosiones o lesiones personales.

28 No exponga un paquete de baterías o un equipo a llamas o temperaturas excesivas. El contacto con llamas o una temperatura superior a 130 °C pueden provocar explosiones.

29 Siga todas las instrucciones de carga y cargue la batería o el dispositivo solo dentro del rango de temperatura especificado en las instrucciones. Una carga incorrecta o una carga fuera del rango de temperatura especificado pueden dañar el paquete de baterías y aumentar el riesgo de incendio.

30 Encargue el mantenimiento del equipo únicamente a personal de servicio cualificado que utilice únicamente las piezas de repuesto adecuadas. Con ello se garantiza la seguridad del producto.

31 No modificar ni intentar reparar el aparato o la batería (según corresponda) excepto como se indica en las instrucciones de uso y conservación.

32 El sistema de transporte está equipado con un mecanismo de desenclavado rápido para que pueda retirarse rápidamente en una situación peligrosa. Para ello, presionar las hebillas de los cinturones de pecho y cadera, retirar el sistema de transporte y colocarlo en el suelo.

Avisos generales



Antes de usar el equipo por primera vez, lea el manual original adjunto del equipo, la batería y el cargador. Actúe conforme a estos documentos.

Conserve los manuales para su uso posterior o para futuros propietarios.

- En caso de no respetar los manuales de instrucciones, se pueden causar daños al equipo y crear peligros para el operario y otras personas.
- Informe inmediatamente a su distribuidor si se han producido daños durante el transporte.
- Compruebe si faltan accesorios en el contenido del paquete o si existen daños.

Protección del medioambiente



Los materiales del embalaje son reciclables. Elimine los embalajes de forma respetuosa con el medioambiente.



Los equipos eléctricos y electrónicos contienen materiales reciclables y, a menudo, componentes, como baterías, acumuladores o aceite, que suponen un riesgo potencial para la salud de las personas o el medioambiente en caso de manipularse o eliminarse de forma inadecuada. Sin embargo, dichos componentes son necesarios para un servicio adecuado del equipo. Los equipos identificados con este símbolo no pueden eliminarse con la basura doméstica.

Avisos sobre sustancias contenidas (REACH)

Encontrará información actual sobre las sustancias contenidas en:

www.kaercher.com/REACH

Niveles de peligro

⚠ PELIGRO

- Aviso de un peligro inminente que produce lesiones corporales graves o la muerte.

⚠ ADVERTENCIA

- Aviso de una posible situación peligrosa que puede producir lesiones corporales graves o la muerte.

⚠ PRECAUCIÓN

- Aviso de una posible situación peligrosa que puede producir lesiones corporales leves.

CUIDADO

- Aviso de una posible situación peligrosa que puede producir daños materiales.

Uso previsto

⚠ ADVERTENCIA

Riesgos para la salud

Aspiración de polvos perjudiciales para la salud

No usar el equipo para la aspiración de polvos perjudiciales para la salud.

CUIDADO

Daño del equipo

Cortocircuito debido a la elevada humedad del aire

Usar y almacenar el equipo solamente en interiores.

- Esta aspiradora universal para alfombras está diseñada para la limpieza en seco de las superficies del suelo y de las paredes.
- Este equipo es apto para el uso industrial, p. ej. en hoteles, escuelas, hospitales, fábricas, tiendas, oficinas y negocios de alquiler.

Instrucciones de seguridad

Marcapasos

⚠ PELIGRO

Peligro por radiación de alta frecuencia/campos magnéticos eléctricos

Riesgos para la salud por uso de marcapasos

A la hora de manipular este equipo debe tener en cuenta las siguientes instrucciones de seguridad.

- *Si lleva un marcapasos, le recomendamos que consulte a su médico o al fabricante del marcapasos sobre las precauciones que debe tomar antes de utilizar el equipo.*
- *No todos los tipos de marcapasos son igualmente resistentes a las radiaciones de alta frecuencia/campos magnéticos eléctricos que pueda haber en las inmediaciones, lo que podría causar problemas al operar el equipo.*
- *Si su médico no puede garantizar su seguridad, no use el equipo.*

Descripción del equipo

Figura A



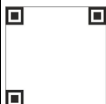
- ① Filtro HEPA (accesorio especial)
- ② Filtro protector de motores
- ③ Placa base
- ④ Carcasa para el filtro protector de motores
- ⑤ Soporte para hombros
- ⑥ Placa de características
- ⑦ Tecla de desbloqueo
- ⑧ Cierre del cinturón para cadera
- ⑨ Soporte para la boquilla para acolchado
- ⑩ Cinturón para cadera
- ⑪ Tubuladura de aspiración (exterior)
- ⑫ Cesto de filtro principal
- ⑬ Bolsa filtrante de fieltro
- ⑭ Asa
- ⑮ Batería
- ⑯ Cabezal de aspiración

- ⑰ Código QR para las instrucciones en vídeo
- ⑱ Cierre del recipiente de suciedad
- ⑲ Recipiente de suciedad
- ⑳ Cierre de la correa
- ㉑ Cierre de la correa de pecho
- ㉒ Correa de pecho (altura ajustable)
- ㉓ Sistema de transporte
- ㉔ Tensor central
- ㉕ Gancho para el tubo de aspiración telescópico en el soporte para hombros
- ㉖ Gancho para el tubo de aspiración telescópico en el sistema de transporte (posición de estacionamiento)
- ㉗ Conmutador de superficie resistente/alfombra
- ㉘ Boquilla para suelos
- ㉙ Tubo de aspiración telescópico
- ㉚ Tecla Eco (modo de ahorro de energía)
- ㉛ Indicador de control de carga
- ㉜ Interruptor principal
- ㉝ Parte de manejo
- ㉞ Soporte para boquilla para ranuras
- ㉟ Control de aspiración
- ㊱ Codo
- ㊲ Manguera de aspiración

Código de colores

- Los elementos de control de la limpieza se muestran en amarillo.
- Los elementos de control del mantenimiento se muestran en gris claro.

Símbolos en el equipo

	Conexión para mangueras de aspiración para diestros
	Conexión para mangueras de aspiración para zurdos
	Código QR para las instrucciones en vídeo

Preparación

1. Desembale el equipo y monte los accesorios.

Figura B

Puesta en funcionamiento

1. Compruebe si el cesto de filtro principal está colocado en el equipo.

Modos de funcionamiento

- 1 Servicio con bolsa de filtro
- 2 Servicio sin bolsa de filtro

Colocación de la batería

1. Inserte la batería en su soporte y en-cájela.

Ajuste del cinturón para cadera, la correa de pecho y el soporte para hombros

1. Colocar el equipo en la espalda.
2. Enganchar el cierre del cinturón para cadera y ajustarlo.

Figura C

3. Enganchar el cierre de la correa de pecho y ajustarla (altura ajustable). Ajustar el equipo al cuerpo tirando de los tensores centrales. No apretar demasiado, la carga principal debe recaer en el cinturón para cadera.

Figura D

Cargar la batería

Nota

Lea el manual de instrucciones del fabricante del cargador y respete especialmente las instrucciones de seguridad.

Nota

Lea el manual de instrucciones del fabricante de la batería y respete especialmente las instrucciones de seguridad.

Nota

La batería está parcialmente cargada en el momento de la entrega. Cárguela antes de la puesta en funcionamiento y según sea necesario.

Nota

La batería solo se puede cargar cuando se ha extraído.

1. Pulse la tecla de desbloqueo y extraiga la batería.
2. Cargue la batería de acuerdo con el manual de instrucciones del fabricante del cargador y del fabricante de la batería.

Manejo

CUIDADO

Peligro por defecto técnico

Peligro de daños al equipo

Apague el motor inmediatamente si la potencia de aspiración disminuye.

Alineación del recipiente de suciedad

1. Alinear el recipiente de suciedad de manera que la manguera de aspiración salga por el lado de trabajo cuando el sistema de transporte esté colocado (manejo para diestros/zurdos). El símbolo correspondiente puede verse en la parte frontal.

Figura E

Conexión del equipo

1. Encender el equipo con el interruptor principal.

Modo Eco

Modo Eco (modo de ahorro de energía): el aparato trabaja con potencia de aspiración reducida. La capacidad de carga de las acumuladores se prolonga.

1. Conectar el modo Eco: accionar la tecla Eco.
2. Desconectar el modo Eco: volver a accionar la tecla Eco.

Ajuste de la potencia de aspiración

1. Regule la potencia de aspiración en el control de aspiración.

Servicio de limpieza

1. Colocar el conmutador de la boquilla para suelos en una superficie resistente o en una alfombra.
2. Realizar la limpieza.
3. Cambio de ubicación/interrupción del trabajo: si es necesario, colgar el tubo de aspiración telescópico en el gancho del soporte para hombros para tener las dos manos libres. El gancho puede fijarse al soporte para hombros derecho o izquierdo.

Figura F

Desconexión del equipo

1. Desconecte el equipo en el interruptor principal.

Tras cada servicio

1. Vaciar el recipiente de suciedad.
2. Limpiar el equipo y los accesorios tras el uso con un paño húmedo.

Almacenaje del equipo

1. Encajar el tubo de aspiración telescópico. Almacenar el tubo de aspiración telescópico y la boquilla para suelos tal y como se muestra en la figura.

Figura G

2. Colocar el equipo en un espacio seco o colgarlo del asa y protegerlo contra cualquier uso no autorizado.

Transporte

⚠ PRECAUCIÓN

Inobservancia del peso

Peligro de lesiones y daños

Tenga en cuenta el peso del equipo durante el transporte.

1. Al transportar el equipo en vehículos, asegúrelo para evitar que resbale y vuelque conforme a las directrices vigentes.

Almacenamiento

⚠ PRECAUCIÓN

Inobservancia del peso

Peligro de lesiones y daños

Tenga en cuenta el peso del equipo para su almacenamiento.

El equipo solo se puede almacenar en interiores.

1. Pulse la tecla de desbloqueo y extraiga la batería para evitar una descarga.

Conservación y mantenimiento

⚠ PELIGRO

Peligro de choques eléctricos

Lesiones al tocar piezas que conducen corriente

Desconecte el equipo.

Retire la batería.

Cambio de la bolsa filtrante de fieltro

1. Desbloquear y retirar el recipiente de suciedad.
2. Retirar el cesto de filtro principal.
3. Retirar la bolsa filtrante de fieltro.
4. Colocar una nueva bolsa filtrante de fieltro con brida de goma sobre la tubuladura de aspiración (interior).
5. Volver a colocar el cesto de filtro principal.

Figura 2

6. Colocar y cerrar el recipiente de suciedad.

Figura 3

Limpieza del cesto de filtro principal

⚠ CUIDADO

Peligro debido al cesto de filtro principal húmedo

Peligro de daños al equipo

Nunca ponga el cesto de filtro principal si está mojado.

1. Si es necesario, limpiar el cesto de filtro principal con agua corriente.

Sustitución del filtro HEPA

Filtro HEPA (accesorio especial): cambiarlo una vez al año

1. Desbloquear y retirar el recipiente de suciedad (incluido el cesto de filtro principal).
2. Girar el cabezal de aspiración 180°.
3. Desbloquear y retirar el filtro HEPA (accesorio especial).
4. Insertar un nuevo filtro HEPA (accesorio especial) y encajarlo.
5. Girar el cabezal de aspiración 180°.
6. Insertar y bloquear el recipiente de suciedad (incluido el cesto de filtro principal).

Sustitución del filtro protector de motores

1. Desbloquear y retirar el recipiente de suciedad (incluido el cesto de filtro principal).
2. Girar el cabezal de aspiración 180°.
3. Si es necesario, desbloquear y retirar el filtro HEPA (accesorio especial).
4. Retirar el filtro protector de motores.
5. Colocar un filtro protector de motores nuevo.
6. Si es necesario, insertar el filtro HEPA (accesorio especial) y encajarlo.
7. Girar el cabezal de aspiración 180°.

8. Insertar y bloquear el recipiente de suciedad (incluido el cesto de filtro principal).

Reajuste del cierre de la correa

1. Desbloquear y retirar el recipiente de suciedad (incluido el cesto de filtro principal).
2. Reajustar el cierre de la correa de manera que el recipiente de suciedad (incluido el cesto de filtro principal) quede bien ajustado al cabezal de aspiración.

Figura H

3. Insertar y bloquear el recipiente de suciedad (incluido el cesto de filtro principal).

Ayuda en caso de fallos

⚠ PELIGRO

Peligro de choques eléctricos

Lesiones al tocar piezas que conducen corriente

Desconecte el equipo.

Retire la batería.

Nota

Si surge un fallo (p. ej. rotura de filtro), hay que desconectar el equipo inmediatamente. Antes de la nueva puesta en funcionamiento hay que eliminar el fallo.

El equipo se desconecta durante el funcionamiento.

El termoprotector del motor ha respondido.

1. Cambiar la bolsa filtrante de fieltro.
2. Sustituir el filtro protector de motores.
3. Revisar la presencia de obstrucciones en todas las piezas.
4. Volver a conectar el equipo.

La potencia de aspiración se reduce

1. Cambiar la bolsa filtrante de fieltro.
2. Limpiar el cesto de filtro principal con agua corriente y secarlo.

3. Colocar/bloquear el recipiente de suciedad (incluido el cesto de filtro principal) correctamente, reajustar el cierre de la correa si es necesario.

Salida de polvo durante la aspiración

1. Cambiar la bolsa filtrante de fieltro defectuosa.
2. Comprobar el alojamiento de la bolsa filtrante de fieltro.
3. Colocar/bloquear el recipiente de suciedad (incluido el cesto de filtro principal) correctamente, reajustar el cierre de la correa si es necesario.
4. Insertar el cesto de filtro principal no dañado.
5. Insertar el filtro protector de motores correctamente.

Potencia de aspiración nula o insuficiente

1. Eliminar el atasco de la boquilla aspiradora, del tubo de aspiración y de la manguera de aspiración.
2. Reemplazar la manguera de aspiración defectuosa.
3. Cambiar la bolsa filtrante de fieltro.
4. Colocar/bloquear el recipiente de suciedad (incluido el cesto de filtro principal) correctamente, reajustar el cierre de la correa si es necesario.
5. Limpiar el cesto de filtro principal con agua corriente y secarlo.
6. Insertar el cesto de filtro principal no dañado.
7. Sustituir el filtro protector de motores.

El equipo no funciona

1. Conecte el equipo.
2. Deje que la pletina sobrecalentada se enfríe.
3. Cargue la batería.
4. Coloque la batería.

Servicio de postventa

Si no se puede solventar el fallo, el Servicio de postventa debe comprobar el equipo.

Garantía

En cada país se aplican las condiciones de garantía indicadas por nuestra compañía distribuidora autorizada.

Subsanamos cualquier fallo en su equipo de forma gratuita dentro del plazo de garantía siempre que la causa se deba a un fallo de fabricación o material. En caso de garantía, póngase en contacto con su distribuidor o con el servicio de postventa autorizado más próximo presentando la factura de compra.

(Dirección en el reverso)

Accesorios y recambios

Utilice únicamente accesorios y recambios originales, estos garantizan un servicio seguro y fiable del equipo. Encontrará información sobre los accesorios y recambios en www.kaercher.com.

Lista de recambios

Utilizar únicamente baterías originales de KÄRCHER, no baterías no recargables.


Denominación	Referencia de pedido, recambio	Referencia del artículo, sin embalaje
Batería Battery Power+ 36/75	2.445-075.0	6.445-122.0
Batería Battery Power+ 36/60	2.445-076.0	6.445-123.0
Cargador rápido Battery Power+ 36/60 (CUL)	2.445-053.0	6.445-071.0

Datos técnicos

BVL 5/1 Bp (Pack)

Conexión eléctrica

Tensión nominal de la batería V 36 DC

Clase de protección  III

Corriente nominal A 14.0

Datos de potencia del equipo

Contenido del Contenedor gal (l) 1.3 (5)

Volumen de aire (máx.) CFM 85 (40)
(l/s)

Baja presión (máx.) mm 2141 (21.0)
(kPa)

Tiempo de servicio con nivel de carga de la batería completo - batería Battery Power+ 36/60 Minutos 22/Eco: 50

Tiempo de servicio con nivel de carga de la batería completo - batería Battery Power+ 36/75 Minutos 30/Eco: 64

Peso y dimensiones

Peso de servicio típico lbs (kg) 11.0 (5.0)

Longitud x anchura x altura in (mm) 8.7 x 12.6 x 20.1 (220 x 320 x 510)

Diámetro de la manguera de aspiración in (mm) 1.38 (35)

Longitud de la manguera de aspiración ft (m) 3.3 (1.0)

Condiciones ambientales

Temperatura ambiente (máx.) °F (°C) 104 (+40)

Valores calculados conforme a EN 60335-2-69

Nivel de presión acústica L_{pA} dB(A) 65

Inseguridad K_{pA} dB(A) 2

Nivel de vibraciones mano-brazo m/s^2 <2.5

Inseguridad K m/s^2 0.2

Reservado el derecho de realizar modificaciones técnicas.



THANK YOU!
MERCI! DANKE! ¡GRACIAS!



Registrieren Sie Ihr Produkt und profitieren Sie von vielen Vorteilen.

Register your product and benefit from many advantages.

Enregistrez votre produit et bénéficiez de nombreux avantages.

Registre su producto y aproveche de muchas ventajas.

www.kaercher.com/welcome



Bewerten Sie Ihr Produkt und sagen Sie uns Ihre Meinung.

Rate your product and tell us your opinion.

Évaluer votre produit et dites-nous votre opinion.

Reseñe su producto y díganos su opinión.



www.kaercher.com/dealersearch

Alfred Kärcher SE & Co. KG
Alfred-Kärcher-Str. 28-40
71364 Winnenden (Germany)
Tel.: +49 7195 14-0
Fax: +49 7195 14-2212

