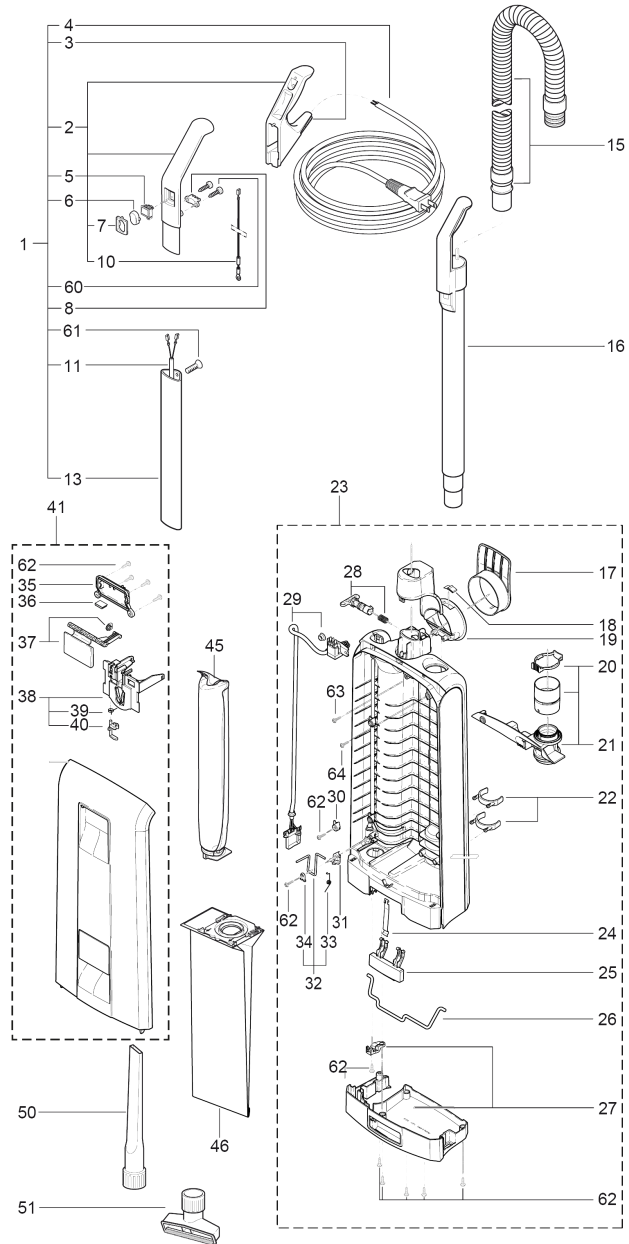


# 10 Filter Bag CxS

Professional \ Vacuum cleaner \ Dry vacuum cleaner \ SENSOR XP12 V2 \ Filter Bag CxS



# 10 Filter Bag CxS

Professional \ Vacuum cleaner \ Dry vacuum cleaner \ SENSOR XP12 V2 \ Filter Bag CxS



POS	Article no.	Description	Quantity	Unit
1	8.614-240.0	HANDLE WITH CORD, CPL	1	PC
2	8.614-193.0	GRID (SWIVEL NECK)	1	PC
3	8.614-197.0	Rubber bushing	10	PC
4	8.614-038.0	CORD, 2 WIRE FOR JSR12	1	PC
5	8.631-916.0	SWITCH	1	PC
6	8.614-566.0	SWITCH CAP	1	PC
7	8.614-570.0	SWITCH CAP HOLDER GRY	1	PC
8	8.613-928.0	CABLE CLAMP	1	PC
10	8.613-781.0	ANTISTATIC WIRE, SENSATION	1	PC
11	8.614-237.0	HANDLE CABLE, 100/230/240V SENSOR	1	PC
13	8.614-230.0	HANDLE TUBE	1	PC
15	8.614-265.0	HOSE, SENSOR SILVER	1	PC
16	8.614-155.0	EXTENSION TUBE, GRY	1	PC
17	8.643-677.0	Cable hook light gray spare part	10	PC
18	8.614-535.0	STOP SPRING (HOOK)	1	PC
19	8.643-678.0	Carrying handle light gray	1	PC
20	8.614-462.0	RETAINING RING, DK.GRY	1	PC
21	8.643-679.0	Internal cover cpl. light gray	1	PC
22	8.614-008.0	CLIP, DUST BAG HOUSE-SR12	1	PC
23	8.643-680.0	Dust bag housing cpl. light gray	1	PC
24	8.614-528.0	SPRING, LOCKING ROD	1	PC
25	8.643-681.0	Dust bag housing locking catch gry blk	1	PC
26	8.614-312.0	LOCKING ROD, DUST BAG HOLDER	1	PC
27	8.643-682.0	Dust bag housing bumper base light gray	1	PC
28	8.643-398.0	Lock catch incl spring gry bl incl sprng	1	PC
29	8.644-087.0	Internal cable	1	PC
30	8.613-929.0	CABLE CLAMP	1	PC
31	8.613-932.0	CABLE CLAMP (FILTER BAG HSNG)	1	PC
32	8.614-162.0	FILTER SAFETY CATCH	1	PC
33	8.614-532.0	SPRING (MICRO FILTER CATCH)	1	PC
34	8.613-997.0	CLAMP	1	PC
35	8.643-400.0	Cover grey black	1	PC
36	8.614-534.0	Spring holder bag	1	PC

## 10 Filter Bag CxS

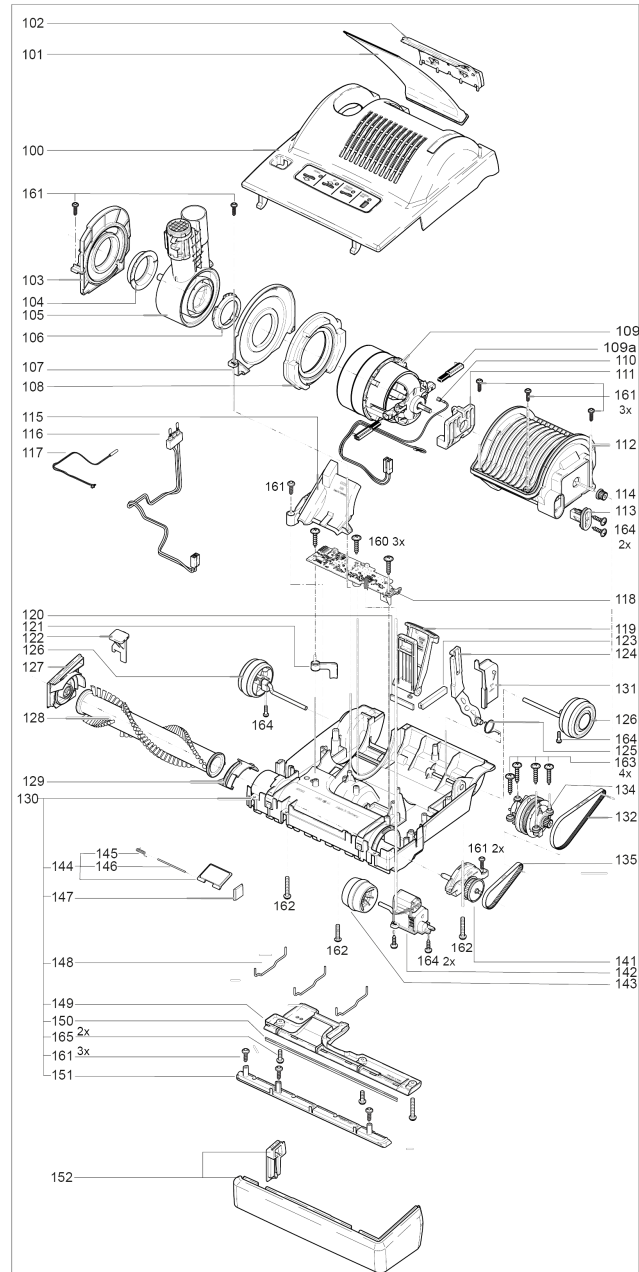
Professional \ Vacuum cleaner \ Dry vacuum cleaner \ SENSOR XP12 V2 \ Filter Bag CxS

**KÄRCHER**

POS	Article no.	Description	Quantity	Unit
37	8.643-684.0	Cover release XP 2017 gray black	1	PC
38	8.613-804.0	BAG HOLDER, CPL	1	PC
39	8.614-476.0	SAFETY CATCH SPRING	1	PC
40	8.614-475.0	SAFETY CATCH	1	PC
41	8.645-249.0	Front cover cpl light gray CxS logo	1	PC
45	8.614-330.0	MICRO HYGENE FILTER	1	PC
46	8.628-476.0	FILTER BAG PK (PKG OF 10) JTEC	1	PC
50	8.614-086.0	CREVICE NOZZLE	1	PC
51	8.614-631.0	UPHOLSTERY NOZZLE	1	PC
60	8.614-704.0	SCREW, M3.9 X 16 DIN7981	10	PC
61	8.614-714.0	SCREW, M4 X 12 PHOVHMS	10	PC
62	8.636-337.0	SCREW M4 X 14	10	PC
63	8.643-403.0	AMTEC-Screw 4x14 Tx 20 black	10	PC
64	8.643-404.0	AMTEC-Screw 3x12 Tx 10 black	10	PC

# 20 Power Head XP12 CxS

Professional \ Vacuum cleaner \ Dry vacuum cleaner \ SENSOR XP12 V2 \ Power Head XP12 CxS



## 20 Power Head XP12 CxS

Professional \ Vacuum cleaner \ Dry vacuum cleaner \ SENSOR XP12 V2 \ Power Head XP12 CxS



POS	Article no.	Description	Quantity	Unit	Remark
100	8.645-250.0	Cover power head CxS SRXP12 cpl gry blk	1	PC	
101	8.643-406.0	Exhaust filter	1	PC	
102	8.643-470.0	Cover exhaust filter gray black	1	PC	
103	8.643-408.0	Swivel neck bearing right hand	1	PC	
104	8.614-512.0	SLEEVE	1	PC	
105	8.643-409.0	Swivel neck assembly	1	PC	
106	8.614-613.0	SWIVEL NECK BEARING	1	PC	
107	8.643-410.0	Swivel neck support left hand	1	PC	
108	8.643-411.0	Motor support gasket	1	PC	
109	8.613-940.0	CARBON BRUSH SET 100/120V	1	PC	Replacement
109	8.614-648.0	VACUUM MOTOR 1200W 100V	1	PC	
110	8.644-093.0	Cabling Motor 2-wire	1	PC	
111	8.614-471.0	RUBBER MOUNTING	1	PC	
112	8.643-414.0	Motor housing 3-wire UL-version	1	PC	
113	8.643-415.0	Belt tightener	1	PC	
114	8.614-362.0	MOTOR PULLEY 2MR	1	PC	
115	8.643-416.0	Cover for air channel	1	PC	
116	8.644-096.0	Cabling swivel neck 2-wire	1	PC	
117	8.643-418.0	Reed-switch swivel neck	1	PC	
118	8.643-419.0	PCB power supply / controller 100-120V	1	PC	
119	8.643-665.0	Foot pedal V12X cpl. orange	1	PC	
120	8.643-421.0	Felt strip	1	PC	
121	8.643-422.0	Cable guide	1	PC	
122	8.643-687.0	Brush roller release button PV12 gry blk	1	PC	
123	8.643-424.0	Support motor housing	1	PC	
124	8.643-425.0	Support lever SR XPN	1	PC	
125	8.614-546.0	SUPPORT SPRING	1	PC	
126	8.643-688.0	Axle assembly light gray	1	PC	
127	8.643-689.0	Bearing block right hand light gray	1	PC	
128	8.613-863.0	BRUSH ROLLER JSR12	1	PC	
129	8.643-428.0	Release ring brush roller r.h. w/spring	1	PC	
130	8.643-690.0	Chassis SR XP12 cpl. light gray/orange	1	PC	INCLUDES POS. 120 & 123, W/O BUMPER
131	8.614-357.0	MOTOR PULLY COVER	1	PC	

## 20 Power Head XP12 CxS

Professional \ Vacuum cleaner \ Dry vacuum cleaner \ SENSOR XP12 V2 \ Power Head XP12 CxS



POS	Article no.	Description	Quantity	Unit	Remark
132	8.613-824.0	BELT 2MR-310-6	1	PC	
134	8.643-430.0	Sensor torque SR XP 12N	1	PC	
135	8.600-500.0	Belt HTD-II, 219 3M	1	PC	
141	8.643-431.0	Bearing block SR XP 12 l. h. cpl	1	PC	
142	8.614-508.0	Actuator complete	1	PC	
143	8.631-938.0	PILE ADJUSTMENT WHEEL, BLACK	1	PC	
144	8.640-615.0	ACCESS DOOR, ZINC YELLOW	1	PC	(INCL. POS. 145 & 146)
145	8.614-533.0	SPRING, ACCESS DOOR	1	PC	
146	8.613-800.0	AXLE, ACCESS DOOR	1	PC	
147	8.614-473.0	RUBBING PLATE GRY	1	PC	
148	8.614-680.0	WIRE TIE,BOTTOM PLATE,CENTER	1	PC	
149	8.643-691.0	Rear bottom plate SR XP12 cpl. lt gry	1	PC	(INCLUDES POS. 150+ 165)
150	8.614-494.0	SEALING STRIP, 12"	1	PC	
151	8.643-692.0	Front bottom plate SR XP12 cpl. lt gry	1	PC	
152	8.643-434.0	Bumper SR XP 12 black 2 pcs.	2	PC	
160	8.632-141.0	SCREW C 2.9 X 13	10	PC	
161	8.614-478.0	SCREW, M4 X16-T20 SS	10	PC	
162	8.614-717.0	SCREW, M4-.7 X 30 PHPNHMS ZN DIN7985	10	PC	
163	8.639-755.0	Screw 3,9x 25	10	PC	
164	8.614-703.0	SCREW, M3.9 X 13 DIN7981	10	PC	
165	8.614-485.0	SCREW, M4 X 12 HWH	10	PC	