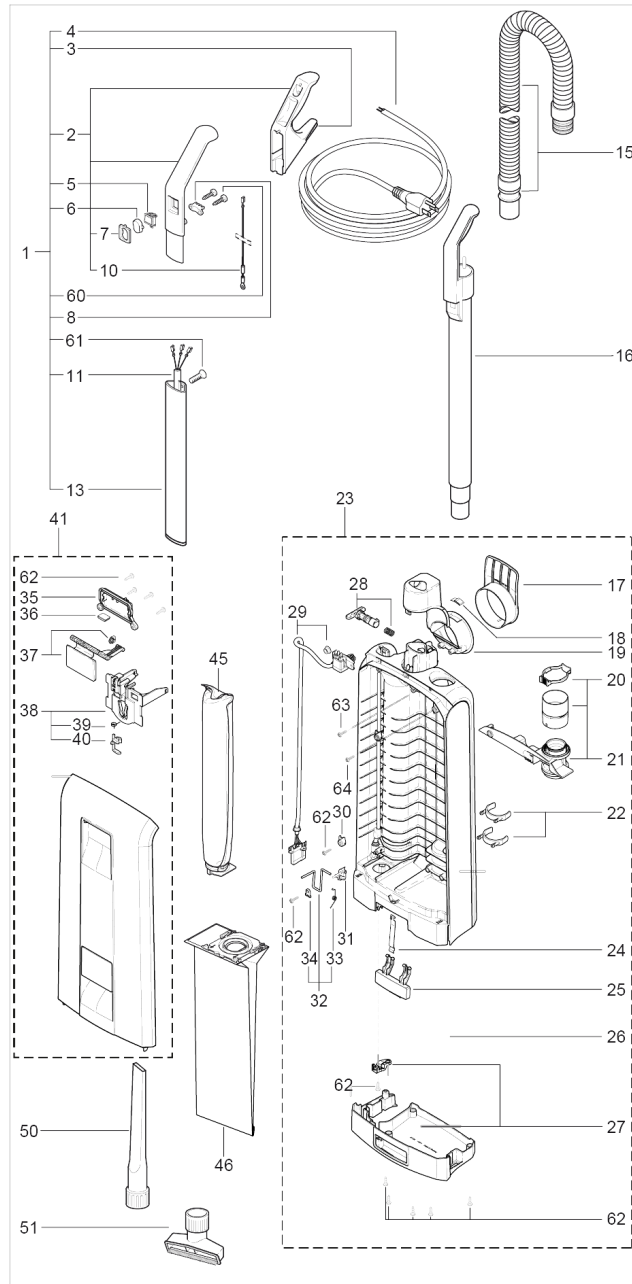


# 10 FILTER BAG HOUSING

Professional \ Vacuum cleaner \ Dry vacuum cleaner \ Karcher Sensor S12, 120V \ FILTER BAG HOUSING



## 10 FILTER BAG HOUSING

Professional \ Vacuum cleaner \ Dry vacuum cleaner \ Kärcher Sensor S12, 120V \ FILTER BAG HOUSING



POS	Article no.	Description	Quantity	Unit
1	8.640-797.0	Handle complete black	1	PC
2	8.637-298.0	HANDLE GRIP, SR BLK	1	PC
3	8.631-914.0	GROMMET, BLACK	1	PC
4	8.613-913.0	CORD SET, 18/3 SJT RIB X 40' YELLOW	1	PC
5	8.631-916.0	SWITCH	1	PC
6	8.640-799.0	SWITCH CAP, ZINC YELLOW	1	PC
7	8.631-918.0	SWITCH CAP HOLDER, BLACK	1	PC
8	8.613-928.0	CABLE CLAMP	1	PC
10	8.613-778.0	ANTISTATIC WIRE	1	PC
11	8.614-231.0	HANDLE CABLE 3WIRE W/CONNECTOR	1	PC
13	8.614-230.0	HANDLE TUBE	1	PC
15	8.614-265.0	HOSE, SENSOR SILVER	1	PC
16	8.631-920.0	EXTENSION TUBE, BLACK	1	PC
17	8.643-392.0	Cable hook basalt gray	1	PC
18	8.614-535.0	STOP SPRING (HOOK)	1	PC
19	8.643-393.0	Carrying handle basalt gray	1	PC
20	8.641-417.0	Locking ring KÄRCHER GRAY	1	PC
21	8.643-394.0	Internal cover cpl. basalt grey	1	PC
22	8.631-925.0	CLIP, DUST BAG HOUSE-SR12, BLACK	1	PC
23	8.643-395.0	Dust bag housing cpl. basalt gray	1	PC
24	8.614-528.0	SPRING, LOCKING ROD	1	PC
25	8.643-396.0	Dust bag hous. locking catch karcher gry	1	PC
26	8.614-312.0	LOCKING ROD, DUST BAG HOLDER	1	PC
27	8.643-397.0	Dust bag housing bumper base basalt gray	1	PC
28	8.643-398.0	Lock catch incl spring gry bl incl sprng	1	PC
29	8.643-399.0	Internal cable	1	PC
30	8.613-929.0	CABLE CLAMP	1	PC
31	8.613-932.0	CABLE CLAMP (FILTER BAG HSNG)	1	PC
32	8.614-162.0	FILTER SAFETY CATCH	1	PC
33	8.614-532.0	SPRING (MICRO FILTER CATCH)	1	PC
34	8.613-997.0	CLAMP	1	PC
35	8.643-400.0	Cover grey black	1	PC
36	8.614-534.0	Spring holder bag	1	PC

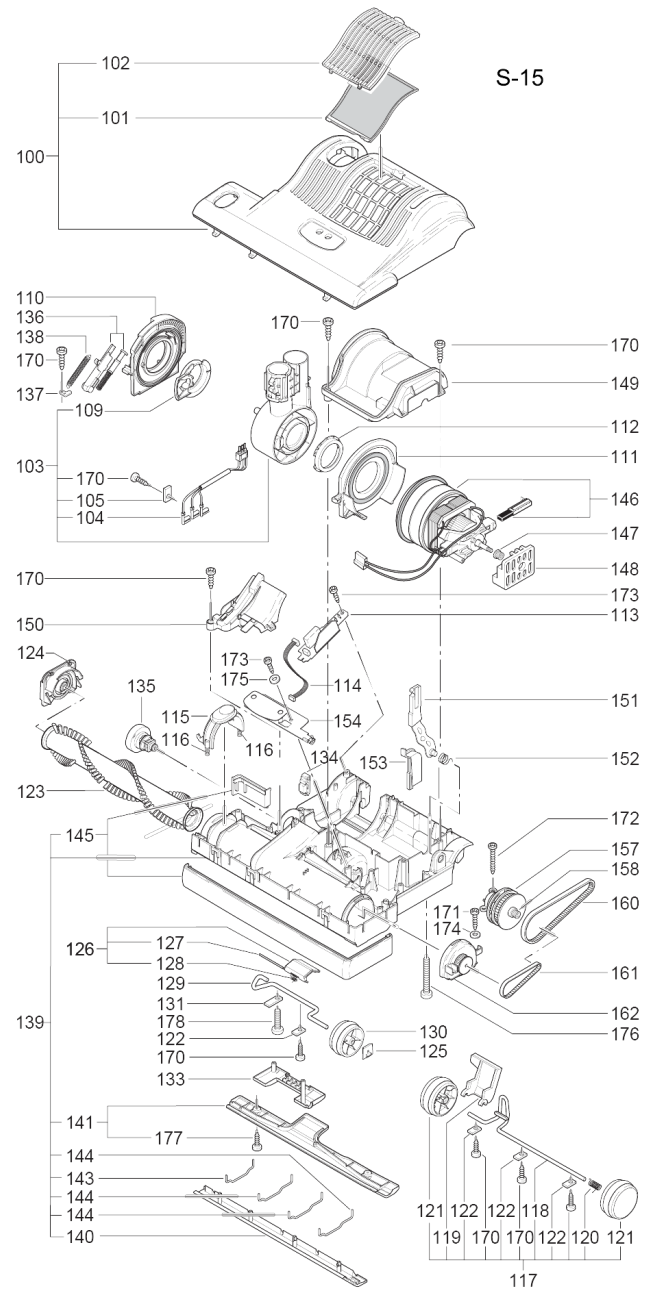
## 10 FILTER BAG HOUSING

Professional \ Vacuum cleaner \ Dry vacuum cleaner \ Karcher Sensor S12, 120V \ FILTER BAG HOUSING

**KÄRCHER**

POS	Article no.	Description	Quantity	Unit
37	8.643-401.0	Cover release XP 2017 zinc yellow	1	PC
38	8.613-804.0	BAG HOLDER, CPL	1	PC
39	8.614-476.0	SAFETY CATCH SPRING	1	PC
40	8.614-475.0	SAFETY CATCH	1	PC
41	8.643-402.0	FRONT COVER CPL. BASALT GRAY	1	PC
45	8.600-522.0	MICRO-HYGIENE FILTER	1	PC
46	8.600-050.0	Sensor FILTER BAG PACK (10PK)	1	PC
50	8.631-930.0	CREVICE NOZZLE, BLACK	1	PC
51	8.631-929.0	UPHOLSTERY NOZZLE BLK	1	PC
60	8.614-704.0	SCREW, M3.9 X 16 DIN7981	1	PC
61	8.614-714.0	SCREW, M4 X 12 PHOVHMS	1	PC
62	8.636-337.0	SCREW M4 X 14	1	PC
63	8.643-403.0	AMTEC-Screw 4x14 Tx 20 black	1	PC
64	8.643-404.0	AMTEC-Screw 3x12 Tx 10 black	1	PC





## 20 POWER HEAD

Professional \ Vacuum cleaner \ Dry vacuum cleaner \ Karcher Sensor S12, 120V \ POWER HEAD



POS	Article no.	Description	Quantity	Unit	Remark
100	8.640-839.0	POWER HEAD COVER S 12, CPL., BASALT GRAY	1	PC	
100	8.640-848.0	POWER HEAD COVER S 15, CPL., BASALT GRAY	1	PC	Only for 1.012-616.0
101	8.614-140.0	EXHAUST FILTER	1	PC	
102	8.640-840.0	EXHAUST FILTER COVER, BASALT GRAY	1	PC	
103	8.643-548.0	Swivel neck assembly lt gray/zinc yellow	1	PC	
104	8.614-318.0	MALE CONTACT HOLDER	1	PC	
105	8.613-923.0	CABLE CLAMP	1	PC	
109	8.614-590.0	SWIVEL NECK BEARING	1	PC	
110	8.614-589.0	SWIVEL NECK SUPPORT R.H.	1	PC	
111	8.614-611.0	SWIVEL NECK SUPPORT L.H.	1	PC	
112	8.614-613.0	SWIVEL NECK BEARING	1	PC	
113	8.614-380.0	PCB POWER SUPPLY	1	PC	
114	8.614-278.0	INTERNAL CABLE, RIBBON	1	PC	
115	8.640-842.0	BRUSH ROLLER RELEASE, KARCHER GRAY	1	PC	
116	8.614-529.0	SPRING	1	PC	
117	8.640-611.0	AXLE ASSEMBLY, ZINC YELLOW	1	PC	
118	8.613-799.0	Axle	1	PC	
119	8.640-612.0	FOOT PEDAL, ZINC YELLOW	1	PC	
120	8.614-657.0	Spring wheel return	1	PC	
121	8.631-936.0	WHEEL, BLACK	1	PC	
122	8.614-000.0	CLAMP CONNECTING ROD (AXLE)	1	PC	
123	8.600-495.0	BRUSH ROLLER 12"	1	PC	
123	8.613-849.0	BRUSH ROLLER 15"	1	PC	Only for 1.012-616.0
124	8.640-613.0	BEARING BLOCK RIGHT HAND, BLACK/BG	1	PC	
125	8.632-032.0	RUBBING PLATE BLK	1	PC	
125	8.640-843.0	X-REF TO 8.632-032.0 11/17	1	PC	Only for 1.012-616.0
126	8.640-015.0	Access door cpl	1	PC	
127	8.613-800.0	AXLE, ACCESS DOOR	1	PC	
128	8.614-533.0	SPRING, ACCESS DOOR	1	PC	
129	8.614-385.0	PILE ADJUSTMENT AXLE	1	PC	
130	8.631-938.0	PILE ADJUSTMENT WHEEL, BLACK	1	PC	
131	8.613-792.0	AXLE CLAMP	1	PC	
133	8.631-939.0	COVER, BLACK	1	PC	

## 20 POWER HEAD

Professional \ Vacuum cleaner \ Dry vacuum cleaner \ Karcher Sensor S12, 120V \ POWER HEAD



POS	Article no.	Description	Quantity	Unit	Remark
134	8.614-622.0	THRUST MEMBER	1	PC	
135	8.640-844.0	PILE ADJUSTMENT KNOB, ZINC YELLOW	1	PC	
136	8.614-623.0	THRUST MEMBER	1	PC	
137	8.614-001.0	CLAMP	1	PC	
138	8.614-525.0	SPRING	1	PC	
139	8.640-845.0	CHASSIS SRS 12, CPL, BLACK	1	PC	
139	8.640-851.0	CHASSIS SRS 15, CPL, BLACK	1	PC	Only for 1.012-616.0
140	8.640-617.0	BOTTOM PLATE, FRT, CLP, GRAY BLACK, SR12	1	PC	
140	8.640-852.0	BOTTOM PLATE,FRT,CLP,GRAY BLACK, SR15	1	PC	Only for 1.012-616.0
141	8.640-846.0	REAR BOTTOM PLATE SRS12, CPL, GRAY BLACK	1	PC	
141	8.640-853.0	REAR BOTTOM PLATE SRS15, CPL, GRAY BLACK	1	PC	Only for 1.012-616.0 (2830gs)
143	8.614-679.0	WIRE TIE,BOTTOM PLATE,OUTER	1	PC	
144	8.614-680.0	WIRE TIE,BOTTOM PLATE,CENTER	1	PC	
145	8.637-372.0	BUMPER, SET BLACK	1	PC	Only for 1.012-616.0
145	8.631-941.0	BUMPER BLACK (2PC SR12)	1	PC	
146	8.613-940.0	CARBON BRUSH SET 100/120V	1	PC	
146	8.614-363.0	MOTOR 1000W/120V	1	PC	
146	8.614-621.0	THERMO SWITCH VAC	1	PC	
147	8.614-362.0	MOTOR PULLEY 2MR	1	PC	
148	8.614-471.0	RUBBER MOUNTING	1	PC	
149	8.640-847.0	MOTOR COVER, GRAY BLACK	1	PC	
150	8.614-061.0	COVER FOR AIR CHANNEL	1	PC	
151	8.643-549.0	Support lever	1	PC	
152	8.614-546.0	SUPPORT SPRING	1	PC	
153	8.614-357.0	MOTOR PULLY COVER	1	PC	
154	8.643-550.0	Computer controller	1	PC	
157	8.614-505.0	SENSOR X4 CPL	1	PC	
157	8.614-506.0	SENSOR (WITH RED RING)	1	PC	Only for 1.012-616.0
158	8.614-358.0	Belt pulley motor	1	PC	
160	8.613-824.0	BELT 2MR-310-6	1	PC	
161	8.600-500.0	Belt HTD-II, 219 3M	1	PC	
162	8.613-820.0	BEARING BLOCK, LH, XP12	1	PC	
170	8.614-703.0	SCREW, M3.9 X 13 DIN7981	1	PC	

## 20 POWER HEAD

Professional \ Vacuum cleaner \ Dry vacuum cleaner \ Karcher Sensor S12, 120V \ POWER HEAD



POS	Article no.	Description	Quantity	Unit	Remark
171	8.614-704.0	SCREW, M3.9 X 16 DIN7981	1	PC	
172	8.614-705.0	SCR, M3.9 X 25 MM	1	PC	
173	8.632-141.0	SCREW C 2.9 X 13	1	PC	
174	8.614-654.0	WASHER, VS14/18	1	PC	
175	8.614-719.0	WASHER 3.2	1	PC	
176	8.614-717.0	SCREW, M4-.7 X 30 PHPNHMS ZN DIN7985	1	PC	
177	8.614-485.0	SCREW, M4 X 12 HWH	1	PC	
178	8.614-486.0	SCREW, M4 X 6, DIN7985	1	PC	